



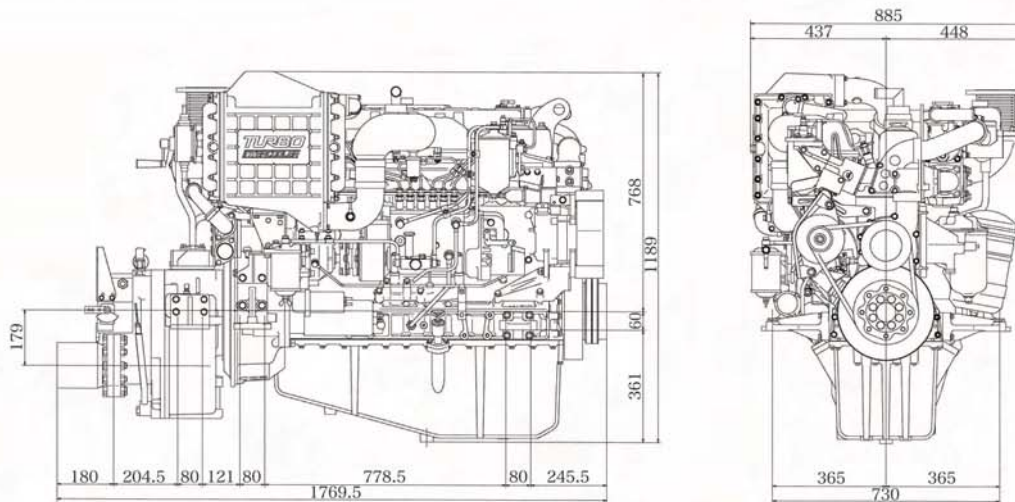
# UM6SD1TCX

**ISUZU**

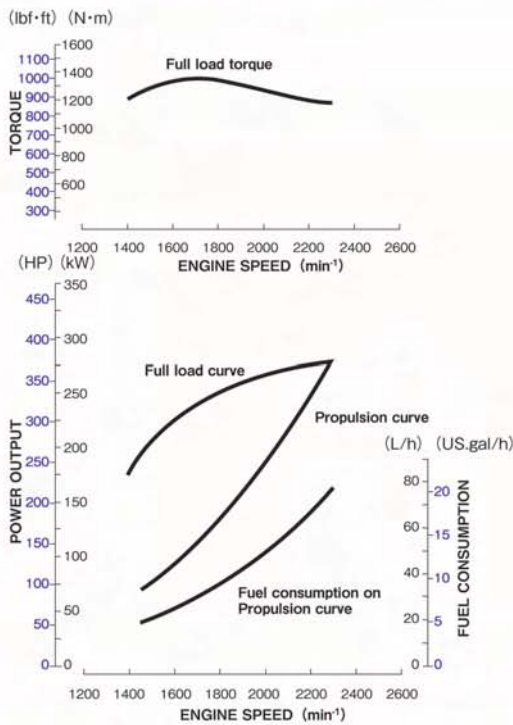
ISUZU MOTORS ENGINE SALES INC.

# UM6SD1TCX

## DIMENSIONS (mm)



## PERFORMANCE CURVES



## ENGINE SPECIFICATIONS

Configuration		6-cylinder, vertical in-line, 4-cycle diesel engine	
Bore x Stroke		mm (in)	117.9 × 145 (4.64 × 5.70)
Displacement		Lit. (cid)	9.498 (579)
Rated output	kW(PS)/min <sup>-1</sup>	Medium duty	254 (345) / 2220
		Light duty	279 (380) / 2300
Application		Commercial use	
Governor type		Mechanical	
Combustion type		Direct injection	
Aspiration		Turbo charged / Intercooler	
Exhaust gas status		IMO Tier II	
Engine weight	kg (lb)	Engine	935 (2,061)
		with MGN123	1,125 (2,480)
Fuel used		Diesel fuel	
Starter		V-kW	24 - 7.4
Alternator		V A	24 40
Lubrication method		Full flow pressure circulation	
Cooling method		Freshwater, full flow pressure circulation (Seawater, indirect)	
Heat exchanger (seawater circulation)		Multi-tube type (freshwater→seawater)	
Intercooler		Multi-tube type (seawater circulation)	
Rotation direction	Crankshaft	Right (clockwise) viewed from front of engine	
	Propeller shaft	Right (clockwise) viewed from stern	
Idling speed		min <sup>-1</sup>	500
Marine gear	Marine Gear Model	MGN123	
	Clutch type	Wet, Multi-plate hydraulic type	
	Reverse type	Constant-mesh type gear	
	Reduction ratio	1.52, 1.97, 2.57, 3.08	

Specifications subject to change without notice

## ACCESSORIES

### Standard

- Installation kit
- Kingston valve
- Battery relay
- Extension harness (5m)
- Seawater pump impeller \*
- Bilge pump
- Control head
- Instrument panel
- Oil drain pump
- Blow-by pipe
- V-belt \*
- Tool kit
- Owner's manual

\* spare parts

### Option

- Extension harness (5m)
- Control cable (4m,6m,10m,12m)
- Stop cable (4m,6m,8m)

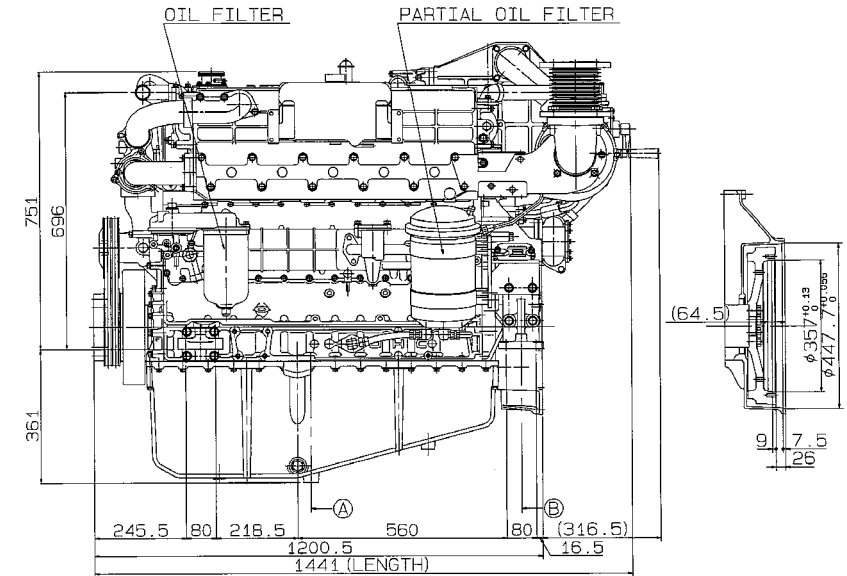
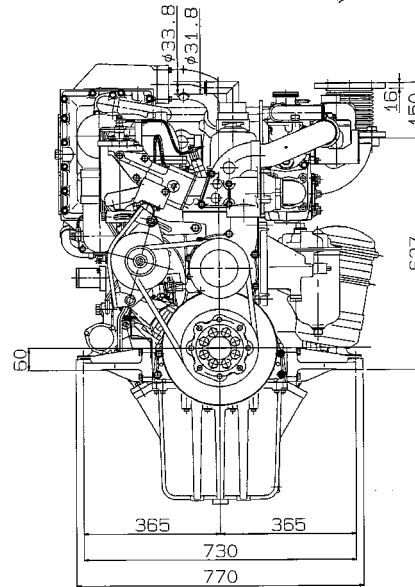
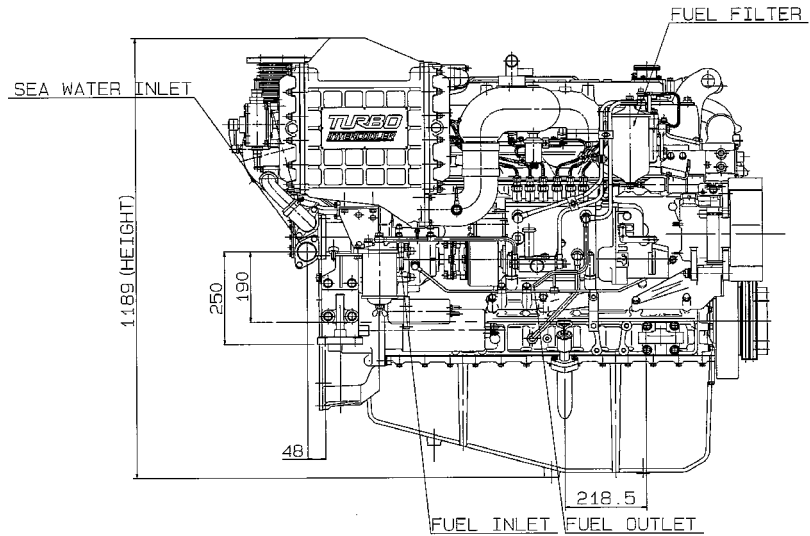
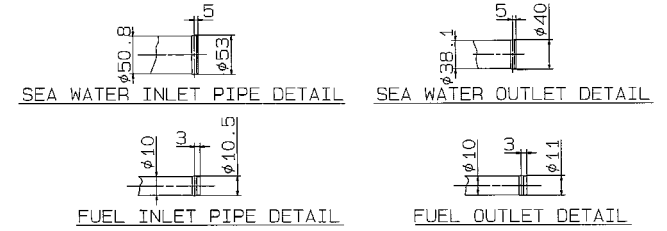
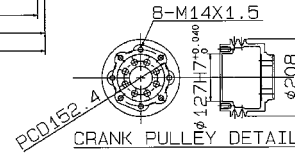
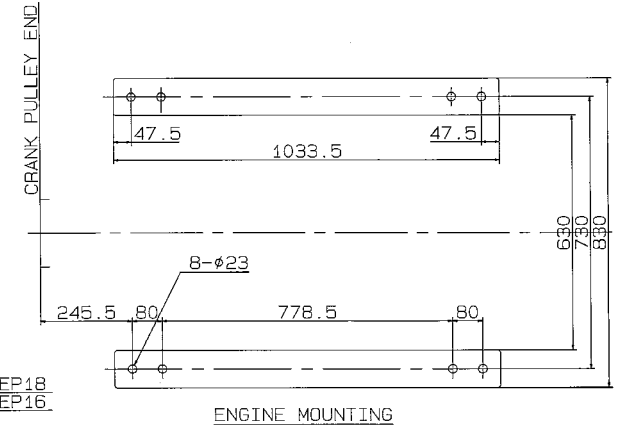
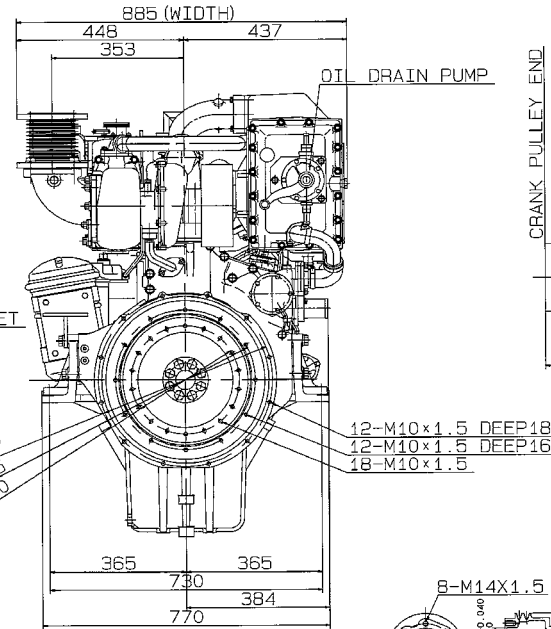
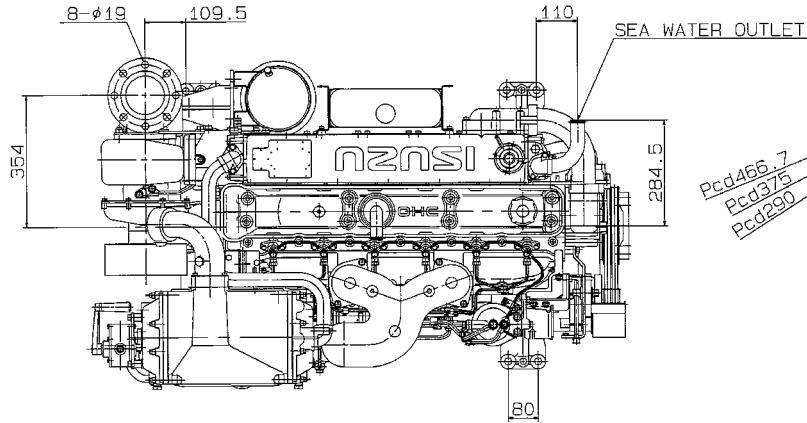
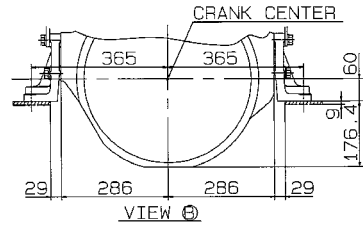
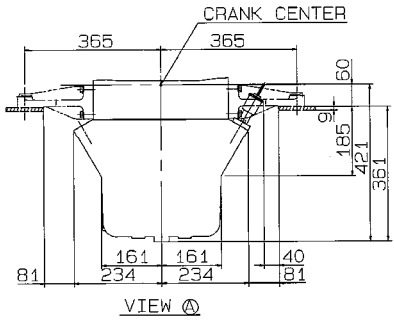
## ISUZU MOTORS ENGINE SALES INC.

<http://www.isuzumarine.co.jp>



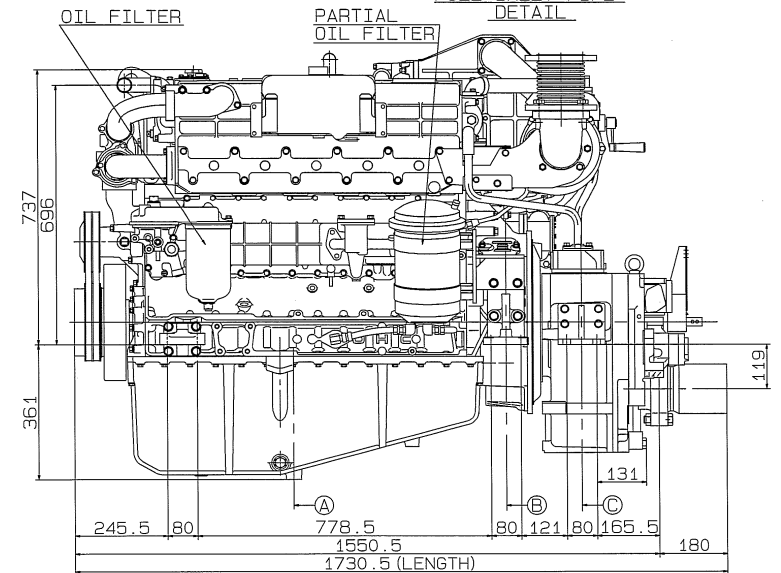
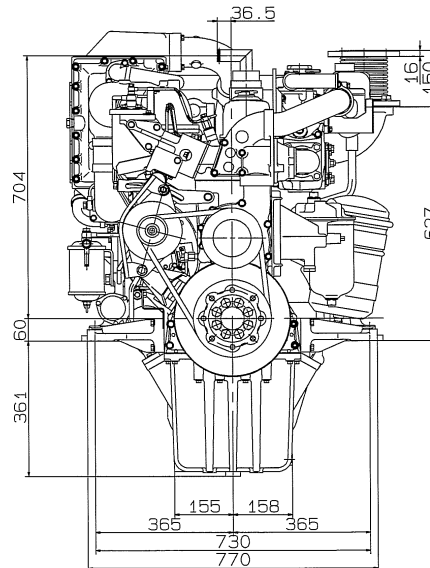
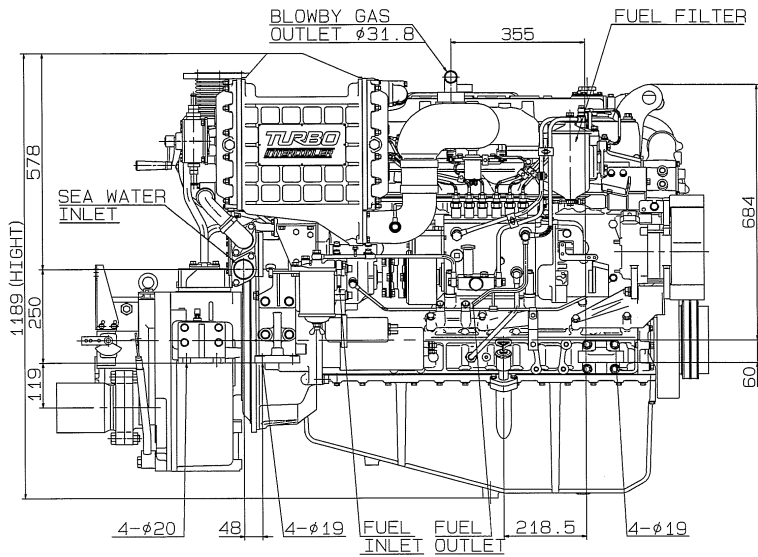
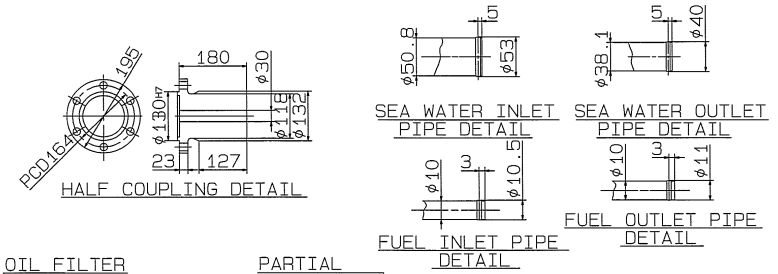
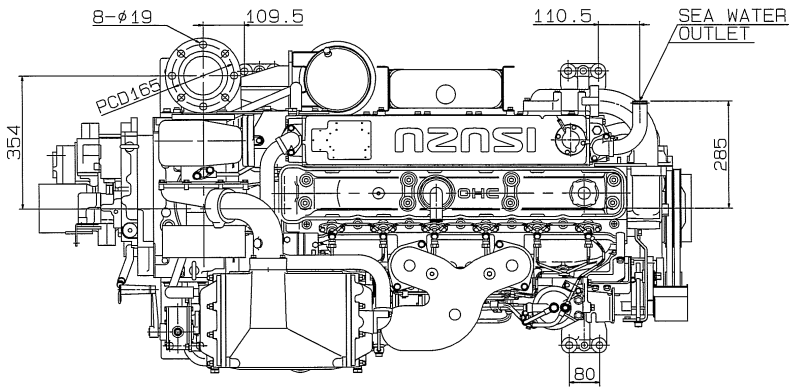
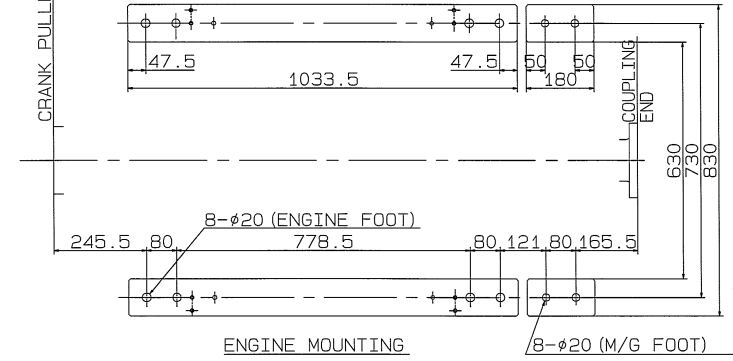
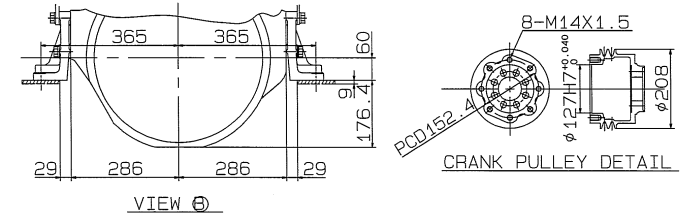
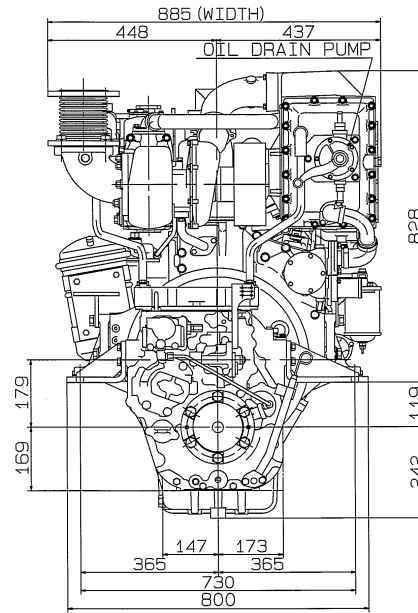
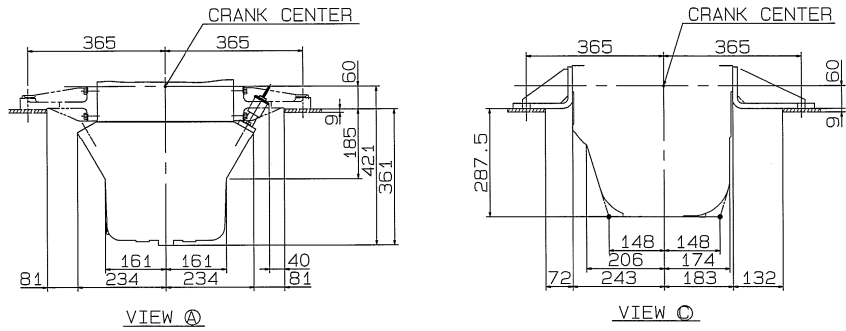


# ISUZU UM6SD1TCX DIESEL ENGINE GEAR LESS

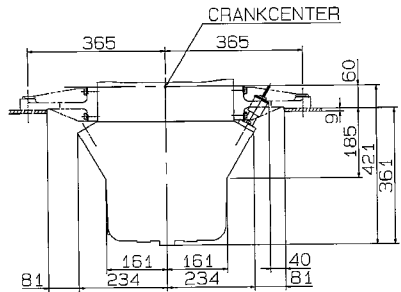


# ISUZU UM6SD1TCX DIESEL ENGINE

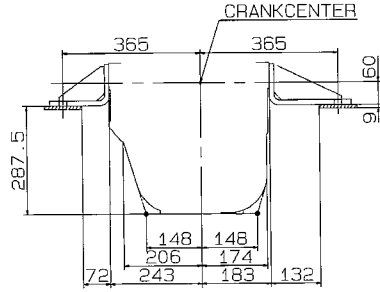
MGN123



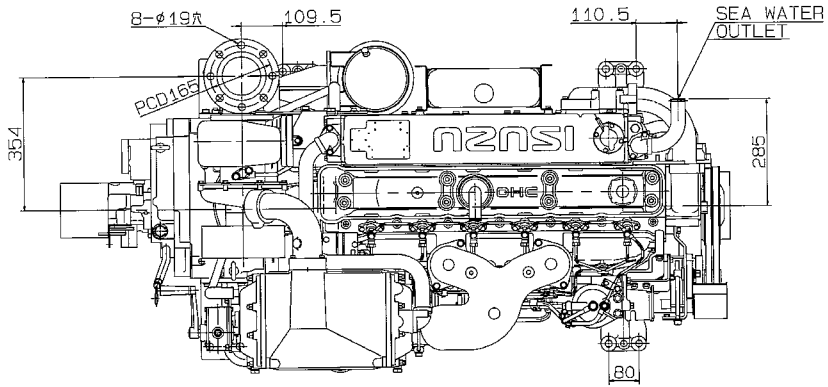
# ISUZU UM6SD1TCX DIESEL ENGINE MGN1 23E-4



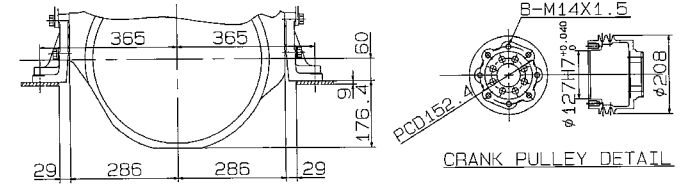
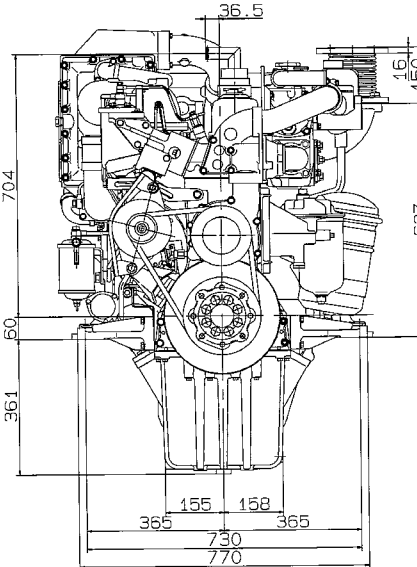
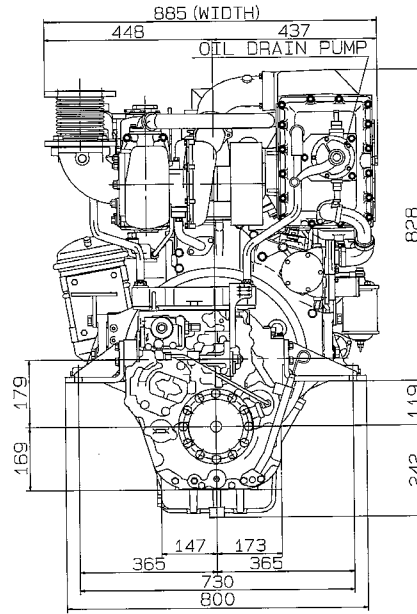
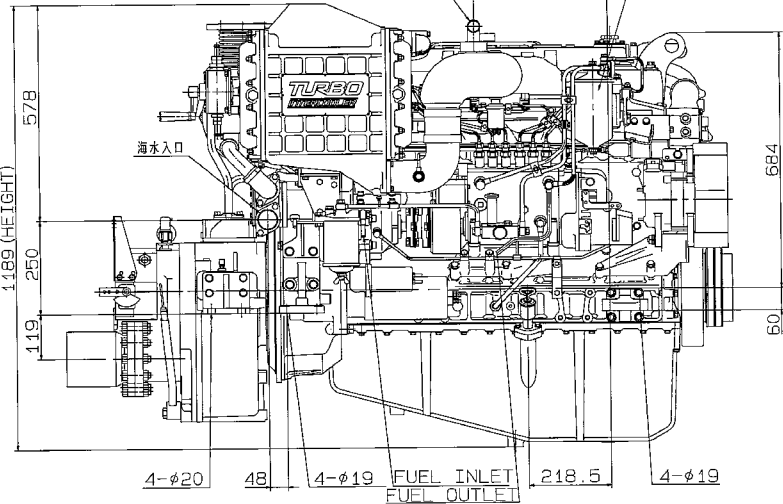
VIEW A



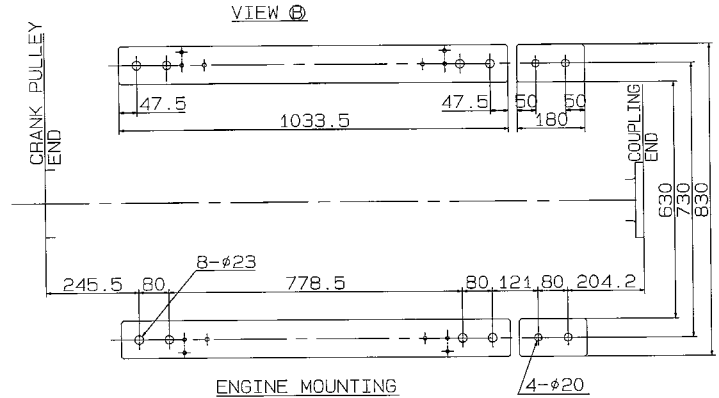
VIEW C



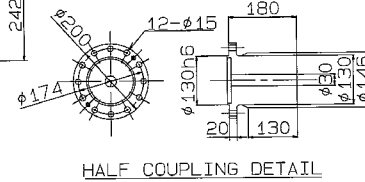
BLOWBY GAS OUT φ31.8 FUEL FILTER



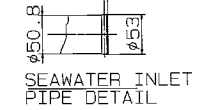
CRANK PULLEY DETAIL



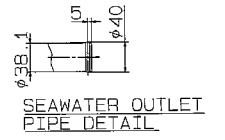
ENGINE MOUNTING



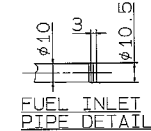
HALF COUPLING DETAIL



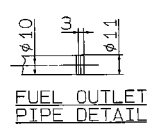
SEAWATER INLET PIPE DETAIL



SEAWATER OUTLET PIPE DETAIL



FUEL INLET PIPE DETAIL



FUEL OUTLET PIPE DETAIL

