

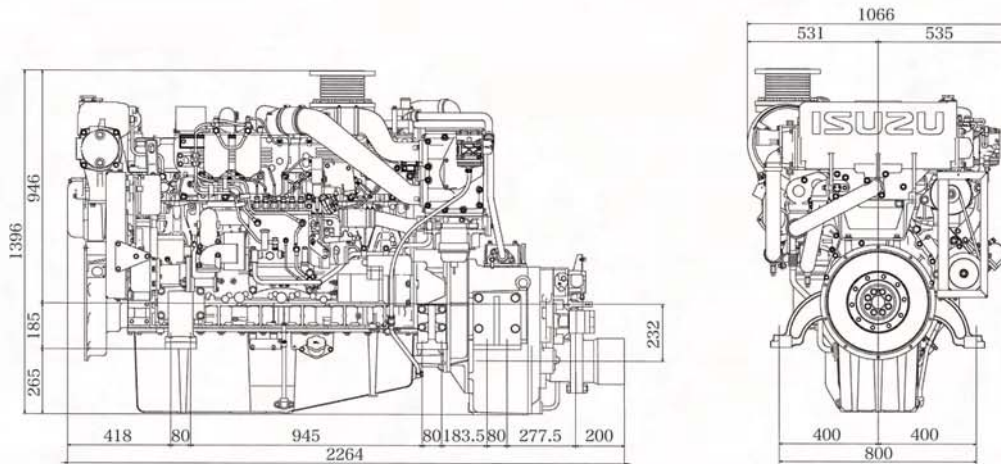
UM6WG1TCX

ISUZU

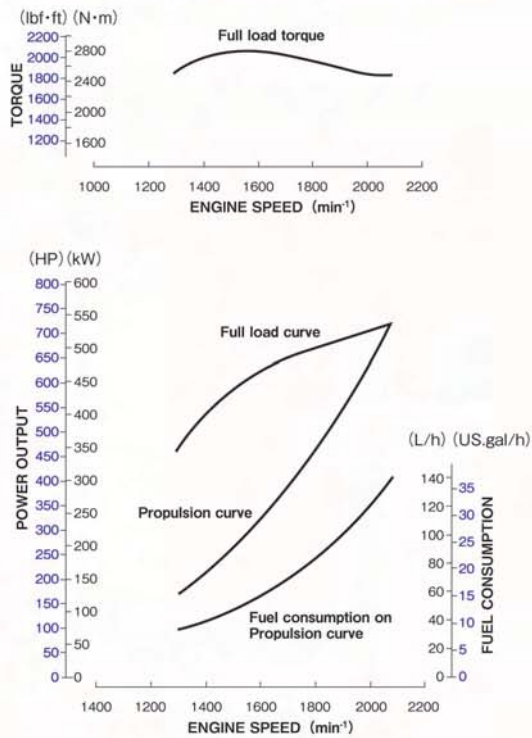
ISUZU MOTORS ENGINE SALES INC.

UM6WG1TCX

DIMENSIONS (mm)



PERFORMANCE CURVES



ENGINE SPECIFICATIONS

Configuration	6 cylinder, vertical in line, 4 cycle deisel engine	
Bore x Stroke	mm (in)	147 x 154 (5.78 x 6.06)
Displacement	Lit. (cid)	15.681 (957)
Rated output	kW(PS)/min ⁻¹	Medium duty
		Light duty
		515 (700) / 2060
		537 (730) / 2100
Application	Commercial use	
Governor type	Mechanical	
Combustion type	Direct injection	
Aspiration	Turbo charged / Intercooler	
Exhaust gas status	IMO Tier II	
Engine weight	kg (lb)	Engine
		with MGN80B
		1,615 (3,560)
		2,100 (4,630)
Fuel used	Diesel fuel	
Starter	V-KW	24 - 7.4
Alternator	V-A	24 - 50
Lubrication method	Full flow pressure circulation	
Cooling method	Freshwater, full flow pressure circulation (Seawater, indirect)	
Heat exchanger (seawater circulation)	Multi-tube type (freshwater-seawater)	
Intercooler	Multi-tube type (seawater circulation)	
Rotation direction	Crankshaft	Right (clockwise) viewed from front of engine
	Propeller shaft	Right (clockwise) viewed from stern
Idling speed	min ⁻¹	600
Marine gear	Marine Gear Model	MGN80B
	Clutch type	Wet, Multi-plate hydraulic type
	Reverse type	Constant-mesh type gear
	Reduction ratio	1.68, 2.03, 2.55, 2.96, 3.31, 3.48

Specifications subject to change without notice

ACCESSORIES

Standard.....

- Installation kit
- Battery relay
- Blow-by pipe
- Extension harness (5m)
- Seawater pump impeller *
- Bilge pump
- Control head
- Instrument panel
- Tool kit
- V-belt *
- Owner's manual

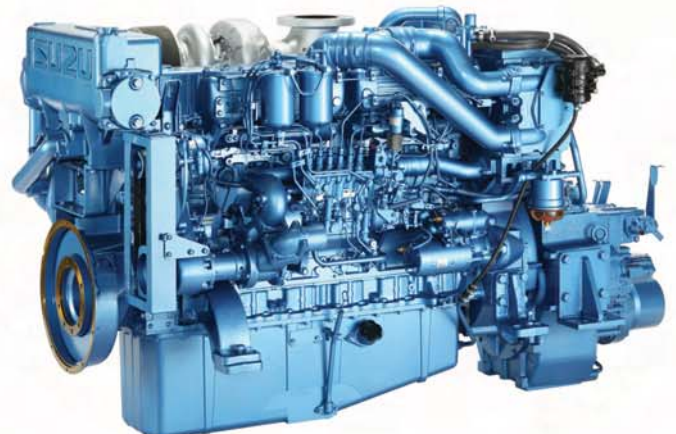
* spare parts

Option.....

- Extension harness (5m)
- Control cable (4m,6m,10m,12m)
- Stop cable (4m,6m,8m)

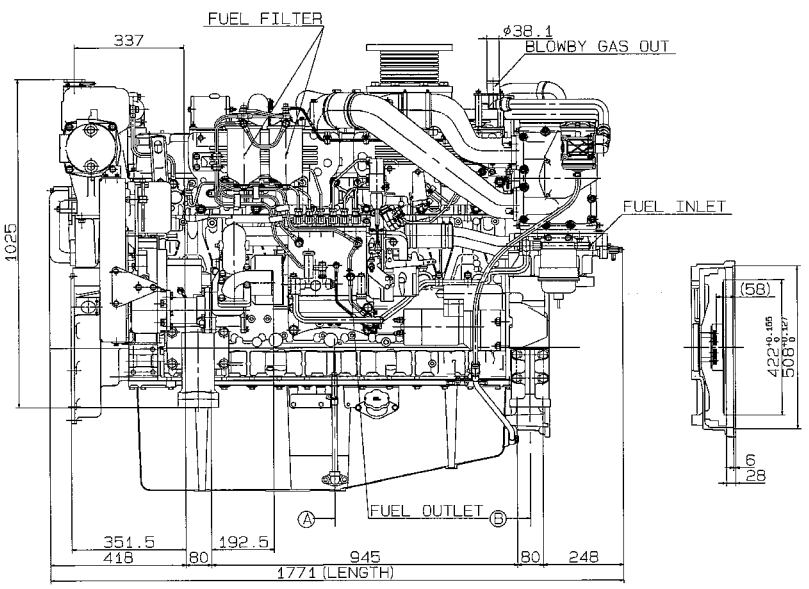
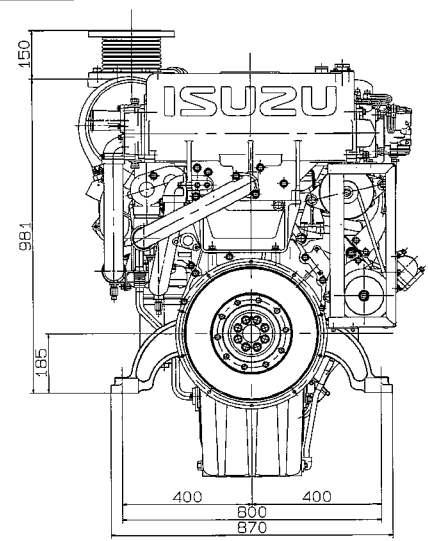
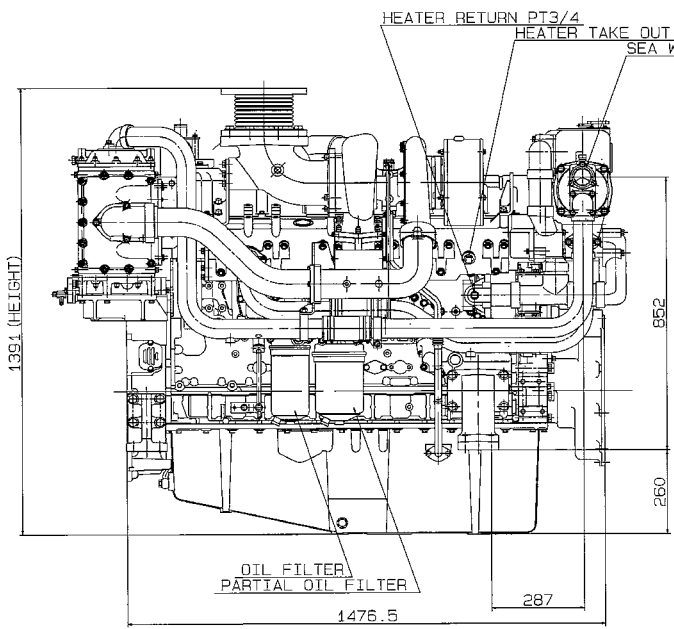
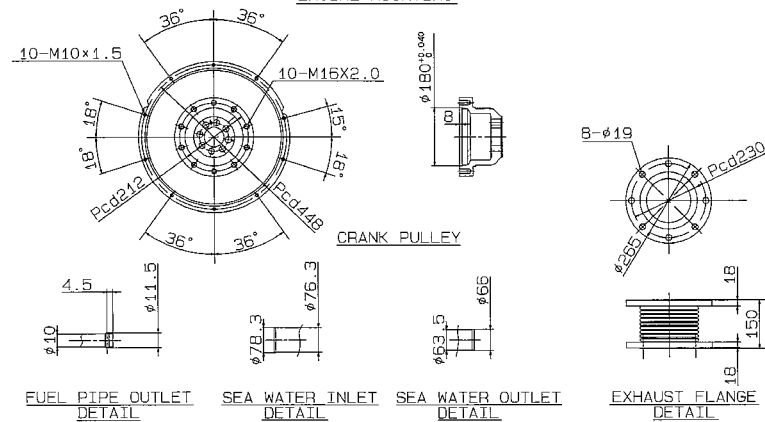
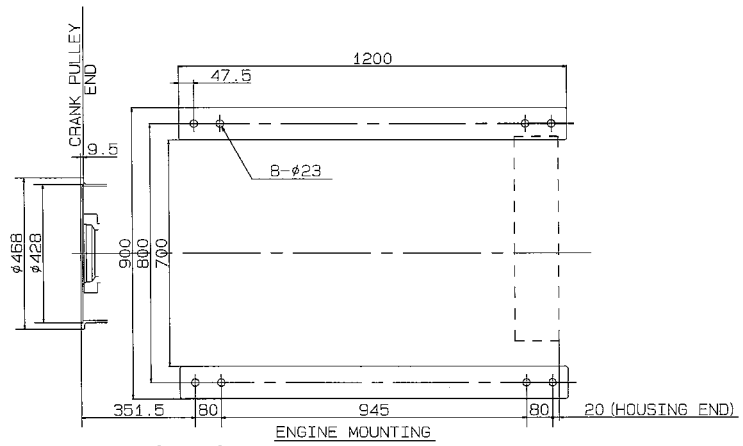
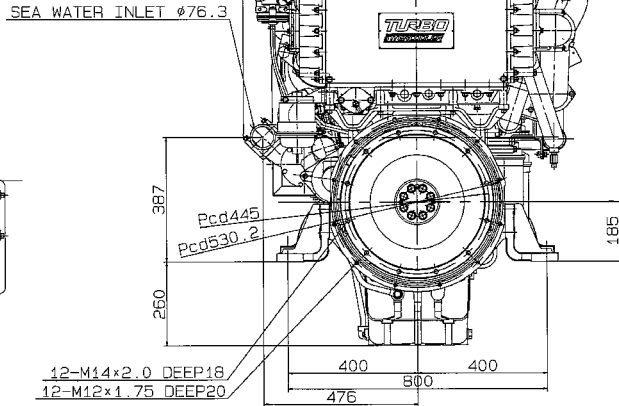
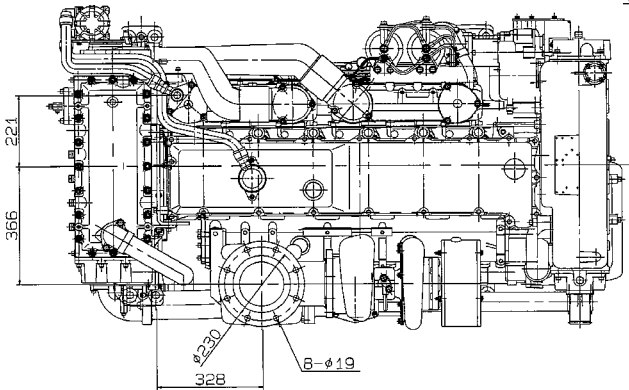
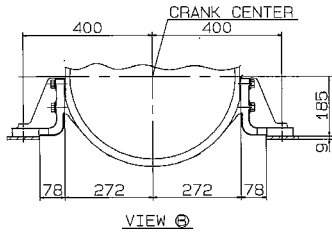
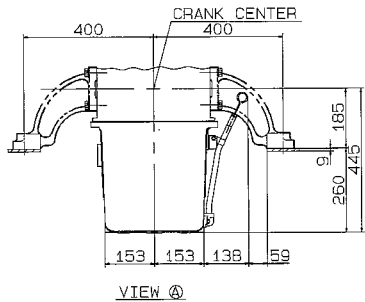
ISUZU MOTORS ENGINE SALES INC.

<http://www.isuzumarine.co.jp>



ISUZU UM6WG1TCX DIESEL ENGINE

GEAR LESS



ISUZU UM6WG1TCX DIESEL ENGINE MGN80B

