

Product Overview



Designed for use on smaller vessels with stainless steel propeller shafts, the seriesOne™ shaft seal is designed to fit shaft diameters from 3/4" through 1-1/4", in 1/8" increments. It is also available to fit metric shafting diameters of 22mm, 25mm and 30mm.

The seriesOne™ shaft seal is to be used in single-engine vessels only. For twin-engine applications, the SureSeal™ is recommended.

Key design features of the seriesOne™ shaft seal include:

Housing: The one-piece body is manufactured from an engineering-grade thermoplastic.

Bearing: The bearing is machined to precise tolerances providing reliable, long-term operating life.

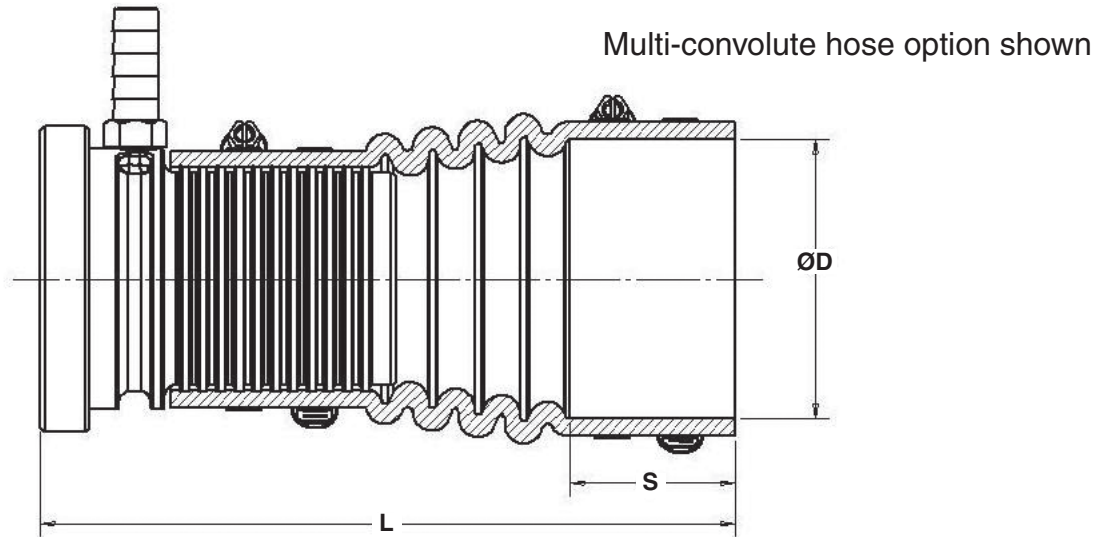
Hose: Several hose alternatives are available to optimize operating characteristics of these units. For vessels (like ski boats) with short shafts (length = approx 3'), high RPMs (range 5,000) and rigid engine mounts, a hose with a single convolution is recommended. For work boats powered by smaller diesel engines and softer engine mounts, the multi-convolution hose is recommended to compensate for more lateral shaft movement during operation.

Hose Clamps: Four standard hose clamps are provided with these shaft seals. If your vessel is operating in extremely harsh environments, 316 stainless AWAB hose clamps are available at an additional charge as an upgrade.

Seal Replacement: The seriesOne™ is designed to be removed and replaced when the workable life span of the seal has been achieved. If in-water replacement is a desired option please use our SureSeal™ line of self-aligning shaft seals. Spare Seal Carrier kits containing replacement lip seals are only available for SureSeal™ units.

seriesOne™ Standard Sizes

The shaft / stern tube diameter combinations normally available from stock are listed.



METRIC			
Shaft Ø	D = Stern Tube Ø	S = Hose Cuff Length	L = Overall Length
22mm	38mm *	48mm	156mm
	41mm		
	45mm		
	51mm		
	57mm		
	63mm		
	70mm		

IMPERIAL			
Shaft Ø	D = Stern Tube Ø	S = Hose Cuff Length	L = Overall Length
3/4"	1.500" *	1.880"	6.150"
	1.625"		
	1.750"		
	2.000"		
	2.250"		
	2.500"		
	2.750"		

25mm	38mm *	48mm	156mm
	41mm		
	45mm		
	51mm		
	57mm		
	63mm		
	70mm		

7/8"	1.500" *	1.880"	6.150"
	1.625"		
	1.750"		
	2.000"		
	2.250"		
	2.500"		
	2.750"		

30mm	41mm	48mm	156mm
	45mm		
	51mm		
	57mm		
	63mm		
	70mm		
	76mm		

1"	1.500" *	1.880"	6.150"
	1.625"		
	1.750"		
	2.000"		
	2.250"		
	2.500"		
	2.750"		

* Supplied with 1.5" / 38mm Adaptor.

1-1/8"	1.625"	1.880"	6.150"
	1.750"		
	2.000"		
	2.250"		
	2.500"		
	2.750"		

1-1/4"	1.625"	1.880"	6.150"
	1.750"		
	2.000"		
	2.250"		
	2.500"		
	2.750"		