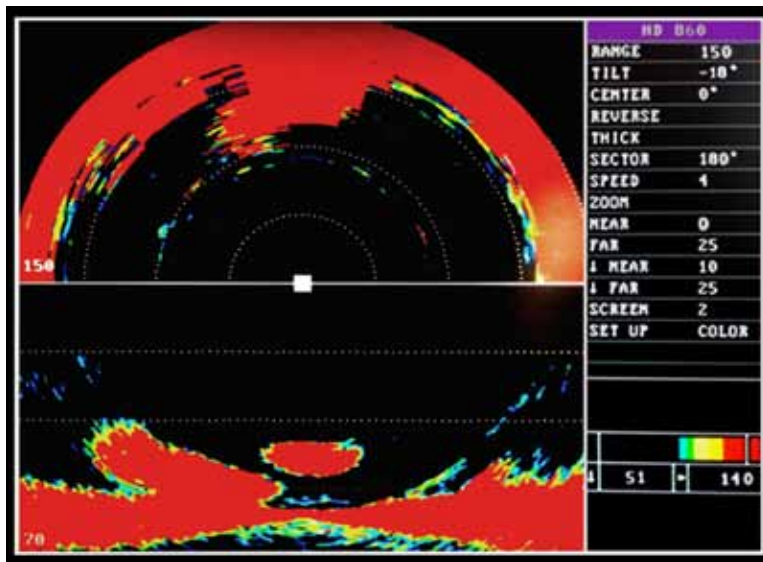




# HD860 Series

## Precision Beam Stabilized Sonar



HD860 in split mode with active stabilization turned on. Top screen marks a large school of Pollock and a smaller school to port. Bottom screen, profiles the bottom marking two additional schools under the boat and 30 degrees to port.

- **Faster Communication**
- **Greater Definition**
- **Electronically Stabilized**  
*Allowing Captain to stay on the fish even in rough seas*




8-inch Stabilized Soundome



10-inch Stabilized Soundome

49 Years of Continuous Product Development





**WESMAR's HD860 solves the tough challenge of seeing fish both close to the surface and close to the bottom. With this new stabilization technology you stay on the fish and improve your catch even in rough seas.**

The HD860 brings new technology based on 4 years of intensive development by the leading US manufacturer of commercial and recreational fishing sonar.

- Active Stabilization

WESMAR's new HD860 Series Sonar incorporates electronic beam stabilization technology developed and refined over 4 years.

A precision electronic gyro including a dedicated computer module with highly refined software is mounted on the sonar transducer. The beam is constantly corrected for pitch and roll whenever the beam is scanning. Unlike other sonar that stabilize using sensors on the vessel, this technology provides instantaneous precision stabilization of the actual beam.

With conventional stabilization, even slight movement of the beam can be significant at extreme ranges, possibly hundreds of feet up and down, which makes fish location difficult except at close range. By limiting this bounce, the effective sonar range can be extended.

The stabilization gyro is in the soundome, so when the transducer scans, the gyro scans with it. Corrections are made in the exact direction the transducer is looking, keeping

the sound beam on target. The WESMAR gyro runs 100% of the time. Other units have the sensor mounted to the bulkhead, delaying response time.

- Digital Link

Long interconnect cable runs are always subject to noise and low sonar performance. WESMAR's new digital link between the sonar electronics (near the transducer) and the computer console in the wheelhouse operate noise free for maximum sonar performance.

- Searchlight Advantage

No Sonar has better directivity than WESMAR engineered transducers. One hundred percent of the transducer surface area points in the direction of the fish in a sharp narrow beam. Dispersed fish and hard to mark fish are detected clutter-free. An Omni sonar, with a diffused beam, allows dispersed fish and fish near the bottom to go undetected.

WESMAR products are sold and serviced around the world by the leading companies in marine equipment

---

# Full Screen Mode

More Information; Greater Clarity



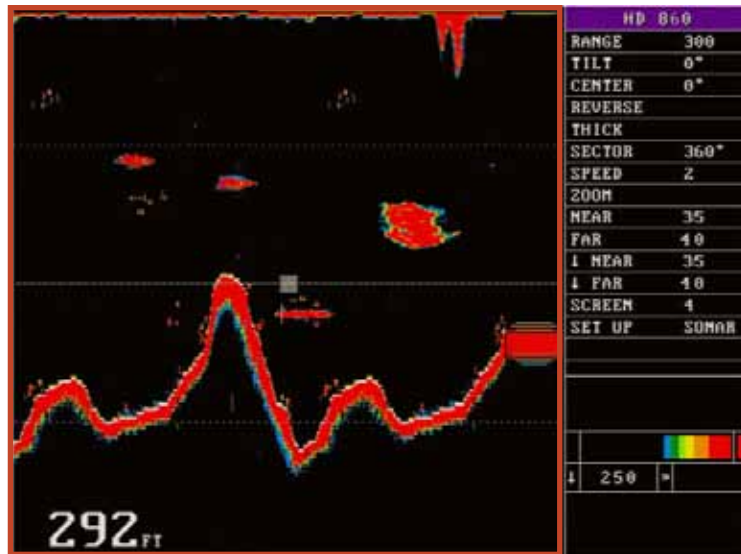
## • Full Screen Mode

Sonar at 175 fathom range marks Hake off the bottom to port. Cursor adjusted next to the fish. Marked at 74 fathom depth. The active stabilization tracks the bottom.

*The new control panel is designed for quick and easy operation to find fish fast. There are no menus to scroll when tracking the fish so your eyes stay on the fish.*



*Changes to range, sector, bearing and tilt are immediate because each has its own separate control.*



## • Stabilized Down Sounder

When the seas get rough, the best of sounders lose track of the bottom. The HD860 in the down sounder mode, with active stabilization on, will keep the sound beam where it should be: straight down. Lower the hoist below the bubble layer for a ground picture unmatched by other sounders. Fishing in the ice? Raise the transducer inside the sea chest, and the WESMAR keeps running.

*Full Screen Sounder for rough days when conventional sounders lose picture, the sonar transducer can be locked down for a reliable stabilized sounder picture with zoom. White line is available to distinguish fish from bottom.*

# HD860 Series Specifications

## HD860/60-10

Frequency kHz 60 kHz  
 Hoist Height 58.3 inches  
 Minimum Seachest 39.37 inches  
 Retraction Time 5 seconds  
 Soundbeam 7.6°V 9.8°H

## HD860/85-10

Frequency kHz 85 kHz  
 Hoist Height 58.3 inches  
 Minimum Seachest 39.37 inches  
 Retraction Time 5 seconds  
 Soundbeam 8.5°V 8.5°H

## HD860/110-10

Frequency kHz 110 kHz  
 Hoist Height 58.3 inches  
 Minimum Seachest 39.37 inches  
 Retraction Time 5 seconds  
 Soundbeam 5.2°V 5.2°H

## HD860/60-8

Frequency kHz 60 kHz  
 Hoist Height 58.3 inches  
 Minimum Seachest 39.37 inches  
 Retraction Time 5 seconds  
 Soundbeam 10°V 13.5°H

## HD860/110-8

Frequency kHz 110 kHz  
 Hoist Height 33 inches  
 Minimum Seachest 25.5 inches  
 Retraction Time 3 seconds  
 Soundbeam 5.2°V 8.5°H

## HD860/160-8

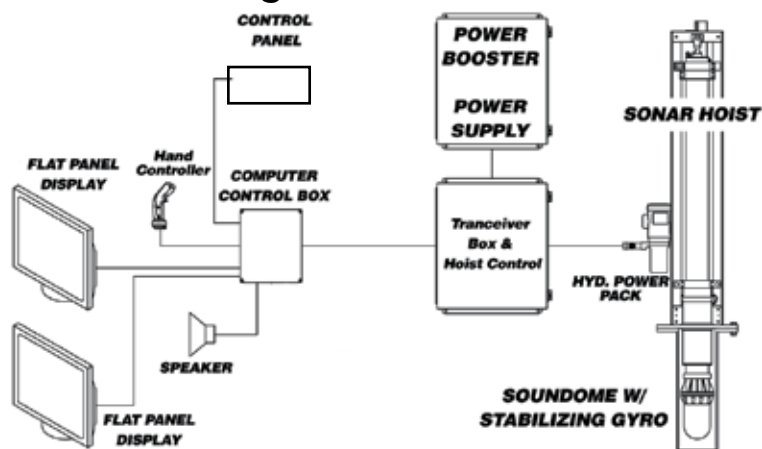
Frequency kHz 160 kHz  
 Hoist Height 33 inches  
 Minimum Seachest 26.5 inches  
 Retraction Time 3 seconds  
 Soundbeam 6.5°V 6.5°H

Notes:  
 1. Pulswidth is selectable or automatically adjusted with changes in the range scales.  
 2. Power boost is provided in all models.  
 3. The advanced profiling features are provided in all models.  
 4. Heavy duty hull package, increased transmit power and soundome that has active stabilization are provided in all models.

*12/24 VDC Electric Motors*

160 kHz  
 22 inches  
 23 inches  
 20 seconds  
 6.5°V 6.5°H

## HD860 Block Diagram



**Western Marine Electronics**  
 14120 NE 200th Street, Woodinville, WA 98072  
 Tel: (425) 481-2296 Fax: (425) 486-0909  
 www.wesmar.com dsoderberg@wesmar.com

*System Components include: dash mounted console and hand-held controller.*

### PRODUCT WARRANTY

Commercial warranty and consumer limited warranty, disclaimer, and remedies. Seller warrants title, materials, and workmanship on equipment, except components manufactured by others for which seller assigns, as permitted, the original manufacturer's warranty. Seller's warranty period for all applicable express or implied warranties shall be ninety (90) days after installation or one (1) year after date of shipment to the original buyer, whichever time period expires first. Nonconforming equipment reported to seller during the applicable warranty period and returned to seller at buyer's expense and risk shall be repaired, or replaced at seller's option. If seller is unable or unwilling to repair or replace such reported and returned nonconforming equipment within a reasonable time, then buyer shall be entitled to a refund of the purchase price of the equipment as buyer's sole remedy. This paragraph sets forth buyer's exclusive remedies for nonconforming goods. This commercial warranty and consumer limited warranty is in lieu of all other warranties, express or implied, including design, course of dealing, merchantability, and fitness for a particular purpose.

NOTE: LIMITATION OF SELLER'S COMMERCIAL AND CONSUMER LIABILITY. Seller shall not be liable on any claim for loss of use, revenue, or profit, for injury, or for any other incidental or consequential damages, regardless of the basis for buyer's claim(s), including, but not limited to, the law of contract, warranty, or tort. In no case shall seller's liability on any claim(s) exceed the amount paid to seller for the purchased goods.