

EASY-SUB/A-SERIES WASTE WATER / SUMP SUBMERSIBLE PUMP

POWER: 0,4 ~ 0,75 kW
MAX. HEAD: 15 m
MAX. CAPACITY: 36 m³/h (0,6 m³/min)



PRODUCT NOMENCLATURE

Example 1: Easy-Sub 400 W / A - 05 A
Type kW Current

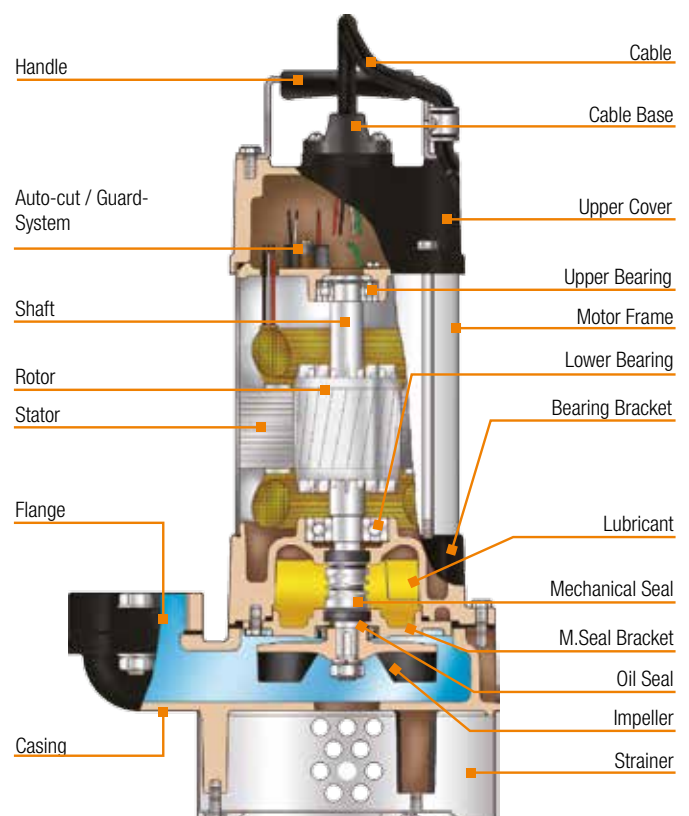
FEATURES

- The precision engineered motor built on highest quality standards guarantees stable characteristics and highest efficiency
- The professional assembly line, complimented with a synthesized production test ensures the highest level of pump quality
- Standard accessories include: cable with an epoxy resin sealed water-resistant cable base, Auto-cut / Guard-System thermal motor protector, Double Mechanical Seal and Lip Seal design
- Equipped with vortex impeller

APPLICATIONS

- Dewatering of building pits
- Drainage systems
- Drain cavities, shafts and containers

- Water abstraction of rivers and ponds
- Circulating and venting of ponds



EASY-SUB

400W/A-05AF • 500W/A-21F • 550W/A31F

400D/A-05 B • 500D/A-21



Vortex impeller



Vortex impeller

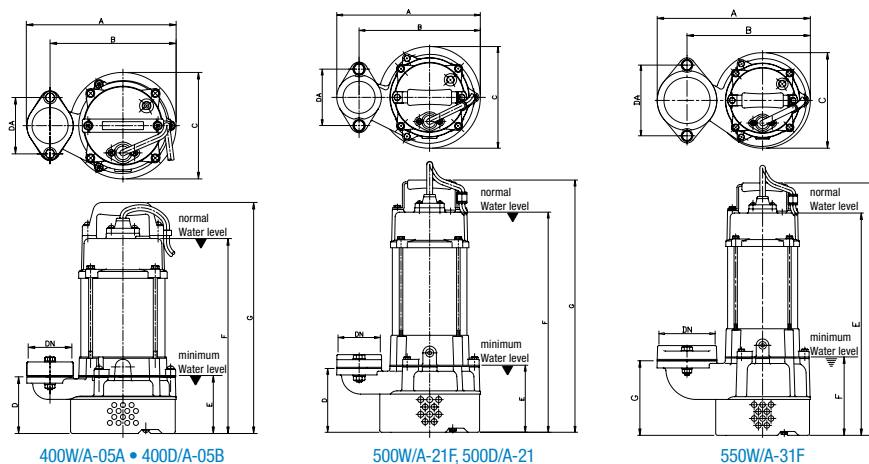
MATERIAL OVERVIEW

TECHNICAL DESCRIPTION		
LIMITS OF USE	Liquid Temp.	0 ~ 40 °C
	Applications	sewage water up to 10mm solids
	Submersion Depth	30 m
TYPE	Frequency	50 Hz
	Motor	2P • Dry Motor
	Insulation	Class B
	Protection	IP68
	Protector	Auto Cut / Guard-System (400W/A-05A: Overheat Protection)
	Bearing	Ball Type
	M.Seal	Double M. Seal (400W/A-05A: single M. Seal)
MATERIAL	Impeller	Vortex imepller
	Outer Cover	Cast Iron (GGL 200)
	Motor Frame	Stainless Steel (1.4301)
	Main Shaft	Stainless Steel (1.4021)
	M.Seal	Upper: Carbon/Ceramic Lower: Silicon/Silicon (400W/A-05A: Carbon / Ceramic)
	Casing	Cast Iron (GGL 200)
	Impeller Cable	Cast Iron (GGL 200) (A-05A / B: PA) H07RN-F

SPECIFICATIONS

MODEL	POWER kW	DISCHARGE mm (Inch)	STANDARD		MAX		SOLID PASSAGE mm	WEIGHT (without Cable)		CABLE LENGTH	SPEED RPM	FLOAT
			m-m ³ /min	m-m ³ /h	m-m ³ /min	m-m ³ /h		230 V - kg	400 V - kg			
400W/A-05AF	0,4	50 (2")	8 - 0.1	8 - 6	11.5 - 0.24	11.5 - 14.4	7,5	12	/	20 m	2900	Yes
400D/A-05B	0,4	50 (2")	8 - 0.1	8 - 6	11.5 - 0.24	11.5 - 14.4	7,5	/	13	20 m	2900	No
500W/A-21 F	0,75	50 (2")	10 - 0.18	10 - 10.8	15 - 0.38	15 - 22.8	10	17	/	20 m	2900	Yes
500D/A-21	0,75	50 (2")	10 - 0.18	10 - 10.8	15 - 0.38	15 - 22.8	10	/	16	20 m	2900	No
550W/A-31 F	0,75	80 (3")	6.5 - 0.3	6.5 - 18	12 - 0.6	12 - 36	10	19	/	20 m	2900	Yes

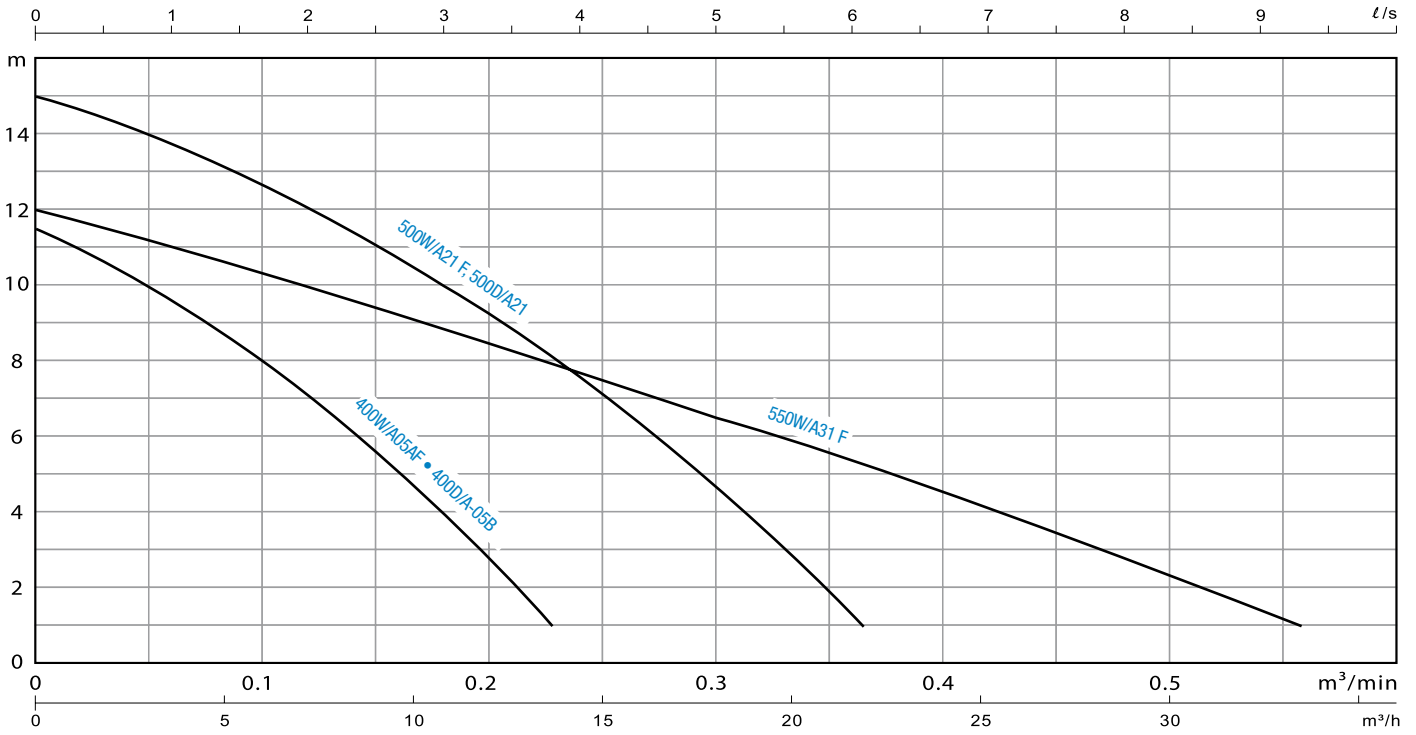
DIMENSIONS



MODEL	DIMENSIONS - MM						
	A	B	C	D	E	F	G
400W/A-05AF	226	191	161	86	88	294	349
400D/A-05B	227	191	161	86	88	294	349
500W/A-21 F	245	207	173	109	100	375	430
500D/A-21	245	207	173	109	100	375	430
550W/A-31 F	278	224	173	457	403	142	135

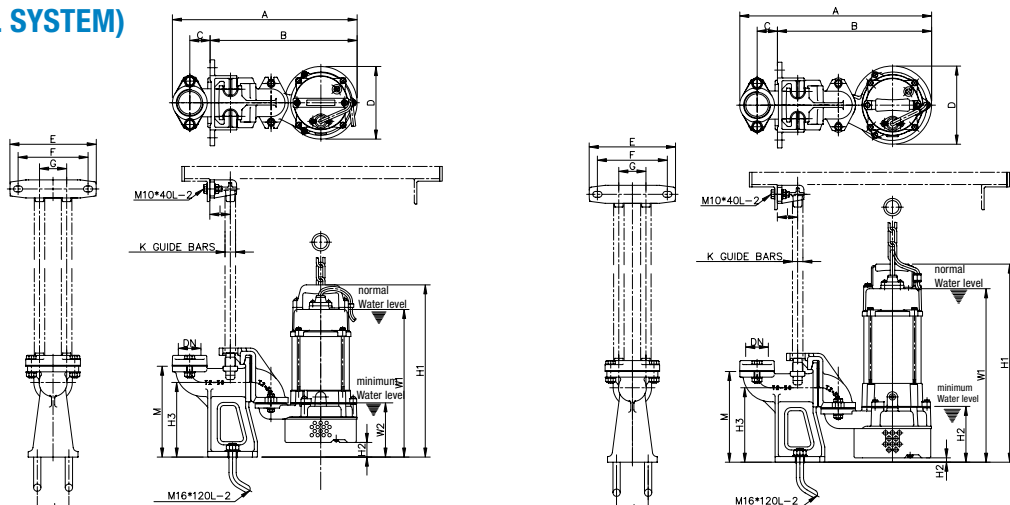


PERFORMANCE CURVES



MODEL	POWER kW	DISCHARGE mm (Inch)	Q:m³/min	H:m															
				0.05	0.1	0.15	0.2	0.25	0.3	0.4	0.5	Q:m³/h	3	6	9	12	15	18	24
400W/A-05AF	0,4	50 (2")		10.0	8.0	5.6	2.8	/	/	/	/	/	/	/	/	/	/	/	/
400D/A-05B	0,4	50 (2")		10.0	8.0	5.6	2.8	/	/	/	/	/	/	/	/	/	/	/	/
500W/A-21 F	0,75	50 (2")		14.0	12.6	11.0	9.2	7.1	4.6	/	/	/	/	/	/	/	/	/	/
500D/A-21	0,75	50 (2")		14.0	12.6	11.0	9.2	7.1	4.6	/	/	/	/	/	/	/	/	/	/
550W/A-31 F	0,75	80 (3")		11.2	10.3	9.4	8.4	7.4	6.5	4.5	2.3								

GRS (GUIDE RAIL SYSTEM) DIMENSIONS



400W/A-05AF • 400D/A-05B : GRS T2-50

500D/A-21F, 500W/A-21 : GRS T2-50 (550W/A-31F can't use GRS)

MODEL	DIMENSIONS - MM																
	DN	A	B	C	D	E	F	G	I	J	K	M	W1	W2	H1	H2	H3
400W/A-05AF	50	409	325	45	161	190	155	60	50	70	19	201	327	121	382	33	165
400D/A-05B	50	409	325	45	161	190	155	60	50	70	19	201	327	121	382	33	165
500W/A-21 F	50	425	342	45	173	190	155	60	50	70	19	201	385	110	439	9.5	165
500D/A-21	50	425	342	45	173	190	155	60	50	70	19	201	385	110	439	9.5	165



EASY-SUB/A-SERIES WASTE WATER / SUMP SUBMERSIBLE PUMP

CONSTRUCTION FEATURES

- Vortex impeller
- Double Mechanical Seals in Carbon/Ceramic (Upper) Silicon/Silicon (Lower) (400W/A-05A: Single M. Seal in Carbon/Ceramic)
- The integrated HEIDE-Guard-System prevents motor from burn out, detects voltage drop and over-current.

Before operation please connect with a protection plug or insert to a switchboard, which is prepared for motor-current.

CONTENTS OF DELIVERY

- single-phase pumps with 20 m cable (H07RN-F) and safety plug
- 3-phase pumps with 20 m cable (H07RN-F), bare cable end

ACCESSORIES AND OPTIONS

- Automatic control panel
- Ropes
- Pipes, fittings and hoses
- Protection plug

ALL PUMPS AVAILABLE IN RENTAL FLEET

Subject to technical modifications without giving prior notice.
Our general terms and conditions (AGB) apply



HEIDE-PUMPEN GmbH
Am Maibusch 102 – 106
45883 Gelsenkirchen

phone +49 (0) 209 941 39-0
fax +49 (0) 209 941 39-99

info@heide-pumpen.de
www.heide-pumpen.de

NOTES



Protection Plug with phase inverter and rotational direction control



External Hand-O-Automatic control with 2 electrodes

Authorized Dragflow-Partner
DRAGFLOW
DREDGING • MINING • INDUSTRY

