

NAUTIC / AS SUBMERSIBLE DEWATERING PUMPS

POWER: 1.1 ~ 7.5 kW
MAX. HEAD: 39 m
MAX. CAPACITY: 162 m³/h (2.7 m³/min)



PRODUCT NOMENCLATURE

Example 1: Nautic 600 N C W/D S / AS - 2 15 F
Type Version Discharge Current Float

Example 2: Nautic 4 N C D / 100 AS N 2 7.5
Type Version Dis-charge Current

FEATURES

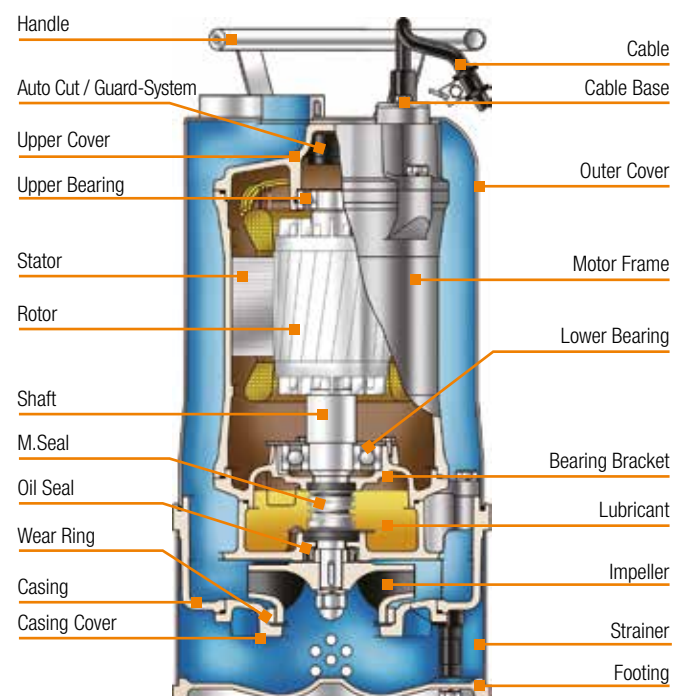
- Exceptionally consolidated cover design by complete stainless steel outer cover
- Light weight structure of less than 80 kgs by a maximum diameter of 286mm
- Multi-design suitable from high head with small capacity to low head with large capacity
- Optional discharge connections (hose, flange and thread connection)

APPLICATIONS

- Drainage systems
- Civil engineering, dewatering of tunneling
- Drain cavities, wells and containers
- Water abstraction of rivers
- Water abstraction, circulating and venting of ponds

HCR IMPELLER

- Vortex impeller to stand high abrasive applications, made of high chrome alloy steel. Hardness of 50-60 Rockwell



NAUTIC / AS

600 N-CW, N-CW/S, N-CD / AS-215 • 1 N-CW, N-CD/AS-32 A
2 N-CW, N-CD / AS-33 A • 3 N-CD/AS-35



600 N-CW, N-CW/S,
N-CD/AS-215

1 N-CW, N-CD/AS-32A
2 N-CW, N-CD/AS-33A

3 N-CD/AS-35



Vortex impeller

MATERIAL OVERVIEW

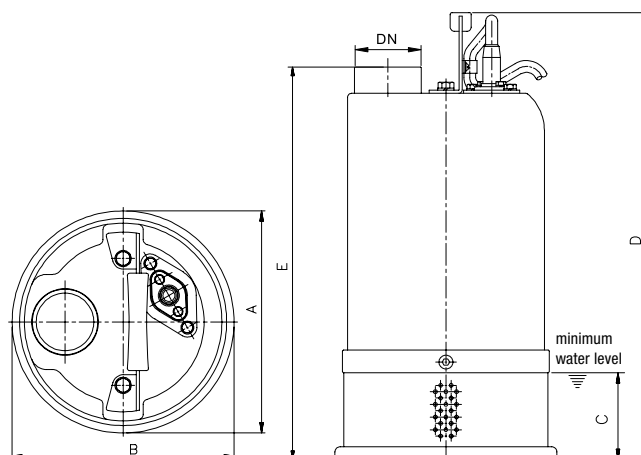
TECHNICAL DESCRIPTION		
LIMITS OF USE	Liquid Temp.	0 ~ 40 °C
	Applications	Wastewater with solids up to 10 mm from tunneling, construction sites, industry, commune and agriculture
	Submersion Depth	30 m
TYPE	Frequency	50 Hz
	Motor	2P • Dry Motor
	Insulation	Class B (3,7 kW: Class F)
	Protection	IP68
	Protector	Auto Cut / Guard-System
	Bearing	Ball Type
	M.Seal	Double M. Seal
MATERIAL	Impeller	Vortex Impeller
	Outer Cover	Stainless Steel (1.4301)
	Upper Cover	Cast Iron (GGL 200)
	Motor Frame	Stainless Steel (1.4301)
	Main Shaft	Stainless Steel (1.4000)
	M.Seal	Upper: Carbon/Ceramic Lower: Silicon/Silicon
	Casing	Cast Iron (GGL 200)
	Impeller	High Chrome (HCR)
Optional	Cable	H07RN-F
	Float Switch	(600 N-CW/S / AS-215)

SPECIFICATIONS

MODEL	POWER kW	DISCHARGE mm (Inch)	STANDARD		MAX		SOLID PASSAGE mm	WEIGHT (without Cable)		CABLE LENGTH	SPEED RPM
			m-m ³ /min	m-m ³ /h	m-m ³ /min	m-m ³ /h		230 V kg	400 V kg		
600 N-CW, N-CW/S, N-CD/ AS-215	1.1	50 (2")	13.5 - 0.2	13.5 - 12	19.5 - 0.4	19.5 - 24	7.5	28	24	20 m	2900
1 N-CW, N-CD/AS-32A*	1,5	80 (3")	10 - 0.4	10 - 24	17.5 - 0.7	17.5 - 42	10.5	43	37	20 m	2900
2 N-CW, N-CD/AS-33A*	2.2	80 (3")	14 - 0.4	14 - 24	22 - 0.8	22 - 48	10.5	46	40	20 m	2900
3 N-CD/AS-35*	3.7	80 (3")	20 - 0.5	20 - 30	26.5 - 1.25	26.5 - 75	10.5	/	44	20 m	2900

*Production discontinuous in 2012 / limited quantity available

DIMENSIONS

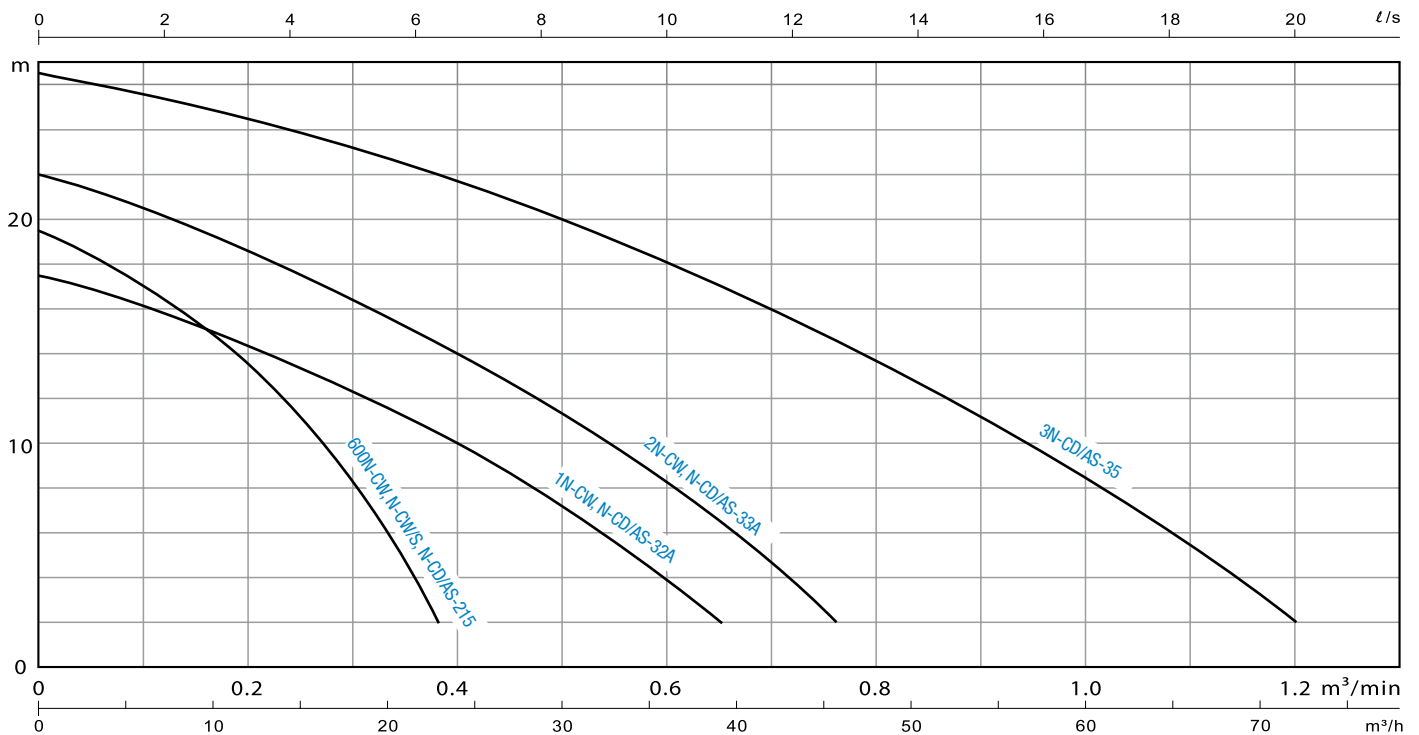


600N-CW, N-CW/S, N-CD / AS-215

MODEL	DIMENSIONS - MM							
	DN	A	B	C	D		E	
					230 V	400 V	230 V	400 V
600 N-CW, N-CW/S, N-CD/ AS-215	50	210	210	85	482	423	370	429



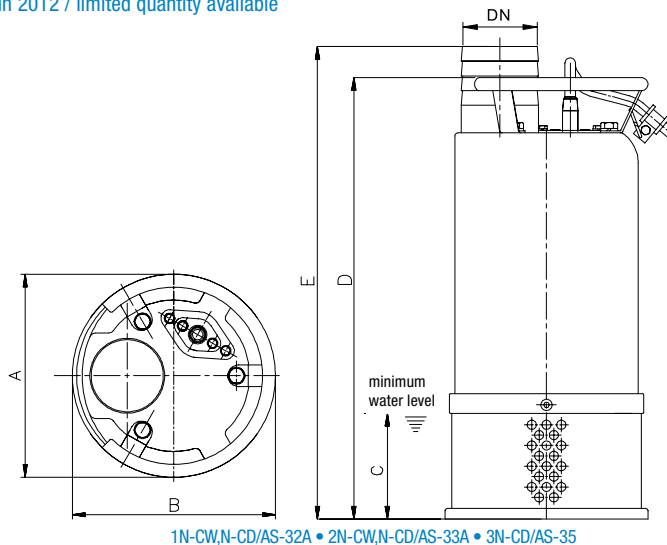
PERFORMANCE CURVES



MODEL	POWER kW	DISCHARGE mm (Inch)	Q: m³/min Q: m³/h	0.1	0.2	0.3	0.4	0.5	0.6	0.7	1,2
				6	12	18	24	30	36	42	72
600 N-CW, N-CW/S, N-CD/AS-215	1.1	50 (2")	H:m	17.0	13.5	8.3	/	/	/	/	/
1 N-CW, N-CD/AS-32A*	1.5	80 (3")		16.1	14.4	12.3	10.0	7.2	4.0	1.6	/
2 N-CW, N-CD/AS-33A*	2.2	80 (3")		20.5	18.6	16.4	14.0	11.4	8.3	4.6	/
3 N-CD/AS-35*	3.7	80 (3")		25.6	24.4	23.2	21.7	20.0	18.0	16.0	2.0

*Production discontinued in 2012 / limited quantity available

DIMENSIONS



MODEL	DIMENSIONS - MM							
	DN	A	B	C	D		E	
					230 V	400 V	230 V	400 V
1N-CW,N-CD/AS-32A	80	238	238	120	558	479	601	521
2N-CW,N-CD/AS-33A	80	238	238	120	558	479	601	521
3N-CD/AS-35	80	238	238	120	515		561	



NAUTIC / AS

1.5 N-CW, N-CD / 80 ASN 21.5 • 2.2 N-CW, N-CD / 80 ASN 22.2



MATERIAL OVERVIEW

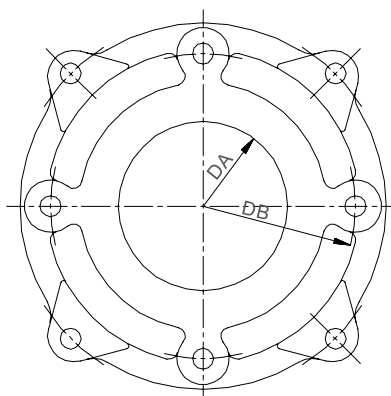
TECHNICAL DESCRIPTION		
LIMITS OF USE	Liquid Temp.	0 ~ 40 °C
	Applications	Wastewater with solids up to 10 mm from tunneling, construction sites, industry, commune and agriculture
	Submersion Depth	30 m
TYPE	Frequency	50 Hz
	Motor	2P • Dry Motor
	Insulation	Class B (3,7 kW: Class F)
	Protection	IP68
	Protector	Auto Cut / Guard-System
	Bearing	Ball Type
	M.Seal	Double M. Seal
MATERIAL	Impeller	Vortex Impeller
	Outer Cover	Stainless Steel (1.4301)
	Upper Cover	Cast Iron (GGL 200)
	Motor Frame	Stainless Steel (1.4301)
	Main Shaft	Stainless Steel (1.4000)
	M.Seal	Upper: Carbon/Ceramic Lower: Silicon/Silicon
	Casing	Cast Iron (GGL 200)
	Impeller	High Chrome (HCR)
	Cable	H07RN-F

SPECIFICATIONS

MODEL	POWER kW	DISCHARGE mm (Zoll)	STANDARD		MAX		SOLID PASSAGE mm	WEIGHT (without Cable)		CABLE LENGTH	SPEED RPM
			m-m ³ /min	m-m ³ /h	m-m ³ /min	m-m ³ /h		230 V kg	400 V kg		
1.5 N-CW, N-CD / 80 ASN 21.5	1.5	80 (3")	10 - 0.5	10 - 30	17 - 0.9	17 - 54	10.5	40	36	20 m	2900
2.2 N-CW, N-CD / 80 ASN 22.2	2.2	80 (3")	14 - 0.5	14 - 30	22.5 - 1.0	22.5 - 60	10.5	45	39	20 m	2900

CASING COVER (SPECIAL DRILLING BY ORDER)

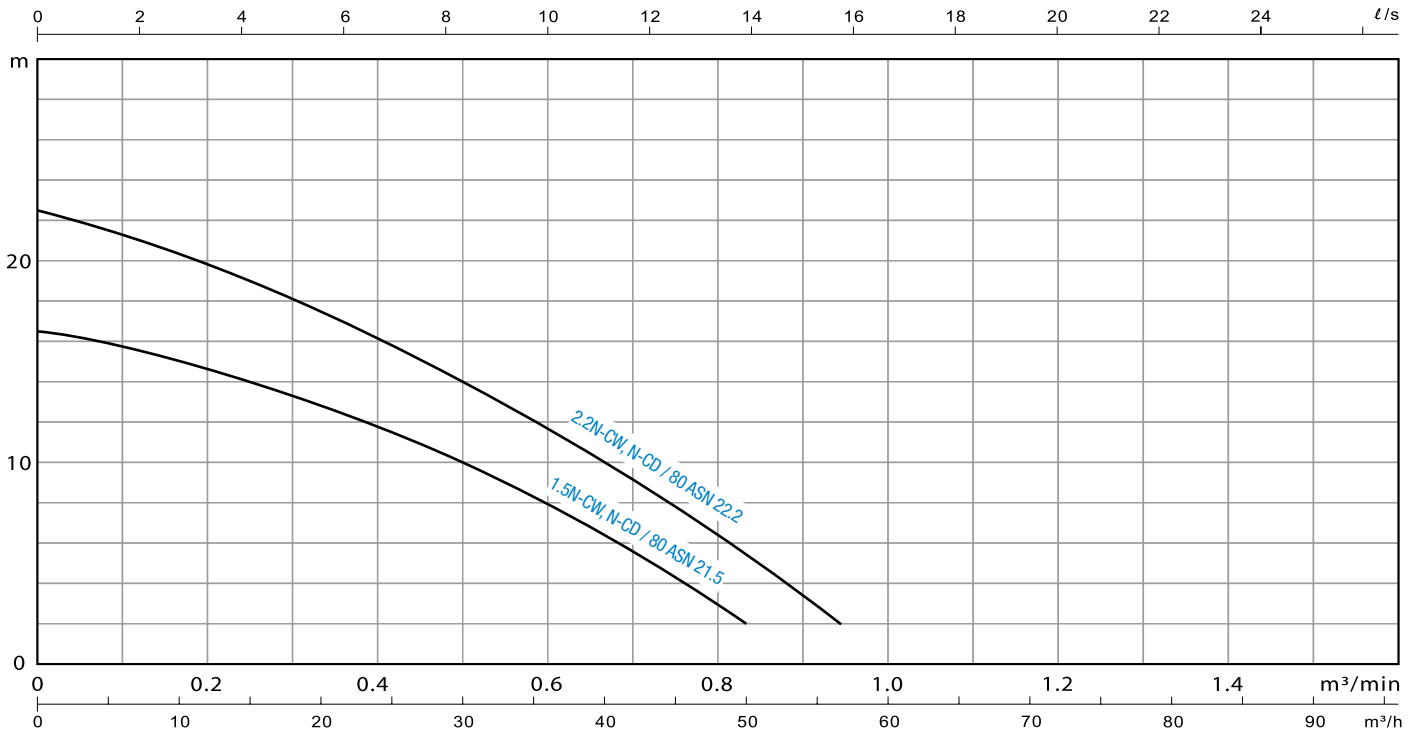
APPLICATION MODEL	MM		
	DA	DB	BOLT
1.5 N-CW, N-CD / 80 ASN 21.5	67	140	M 12x25
2.2 N-CW, N-CD / 80 ASN 22.2	67	140	M 12x25



1.5 N-CW, N-CD / 80 ASN 21.5 • 2.2 N-CW, N-CD / 80 ASN 22.2

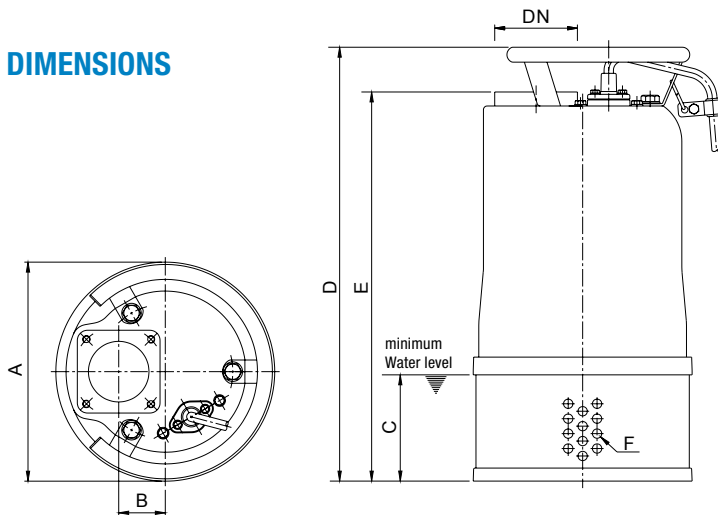
ZERTIFIZIERT NACH
ISO 9001
CERTIFIED

PERFORMANCE CURVES



MODEL	POWER kW	DISCHARGE mm (Zoll)	Q:m³/min Q:m³/h	0.1	0.2	0.4	0.6	0.8	1.0	1.2	1.4
				6	12	24	36	48	60	72	84
1.5 N-CW, N-CD / 80 ASN 21.5	1.5	80 (3")	H:m	15.7	14.6	11.8	7.9	3	/	/	/
2.2 N-CW, N-CD / 80 ASN 22.2	2.2	80 (3")		21.3	19.8	16.2	11.7	6.4	/	/	/

DIMENSIONS



1.5 N-CW, N-CD / 80 ASN 21.5 • 2.2 N-CW, N-CD / 80 ASN 22.2

MODEL	DIMENSIONS - MM								
	DN	A	B	C	D		E		F
					230 V	400 V	230 V	400 V	
1.5 N-CW, N-CD / 80 ASN 21.5	80	235	50	115	511	466	448	403	10
2.2 N-CW, N-CD / 80 ASN 22.2	80	235	50	115	541	466	478	403	10



NAUTIC / AS

3.7 N-CD / 80 ASN 23.7



Vortex-Impeller

3.7 N-CD /
80 ASN 23.7

MATERIAL OVERVIEW

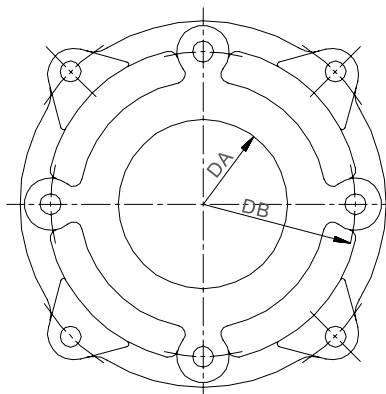
TECHNICAL DESCRIPTION		
LIMITS OF USE	Liquid Temp.	0 ~ 40 °C
	Applications	Wastewater with solids up to 10 mm from tunneling, construction sites, industry, commune and agriculture
	Submersion Depth	30 m
TYPE	Frequency	50 Hz
	Motor	2P • Dry Motor
	Insulation	Class B (3,7 kW: Class F)
	Protection	IP68
	Protector	Auto Cut / Guard-System
	Bearing	Ball Type
	M.Seal	Double M. Seal
	Impeller	Vortex Impeller
MATERIAL	Outer Cover	Stainless Steel (1.4301)
	Upper Cover	Cast Iron (GGL 200)
	Motor Frame	Stainless Steel (1.4301)
	Main Shaft	Stainless Steel (1.4000)
	M.Seal	Upper: Carbon/Ceramic Lower: Silicon/Silicon
	Casing	Cast Iron (GGL 200)
	Impeller	High Chrome (HCR)
	Cable	H07RN-F

SPECIFICATIONS

MODEL	POWER kW	DISCHARGE mm (Zoll)	STANDARD		MAX		SOLID PASSAGE mm	WEIGHT (without Cable) 400 V kg	CABLE LENGTH	SPEED RPM
			m-m ³ /min	m-m ³ /h	m-m ³ /min	m-m ³ /h				
3.7 N-CD / 80 ASN 23.7	3.7	80 (3")	21.5 - 0.5	21.5 - 30	29 - 1.2	29 - 72	10.5	44	20 m	2900

CASING COVER (SPECIAL DRILLING BY ORDER)

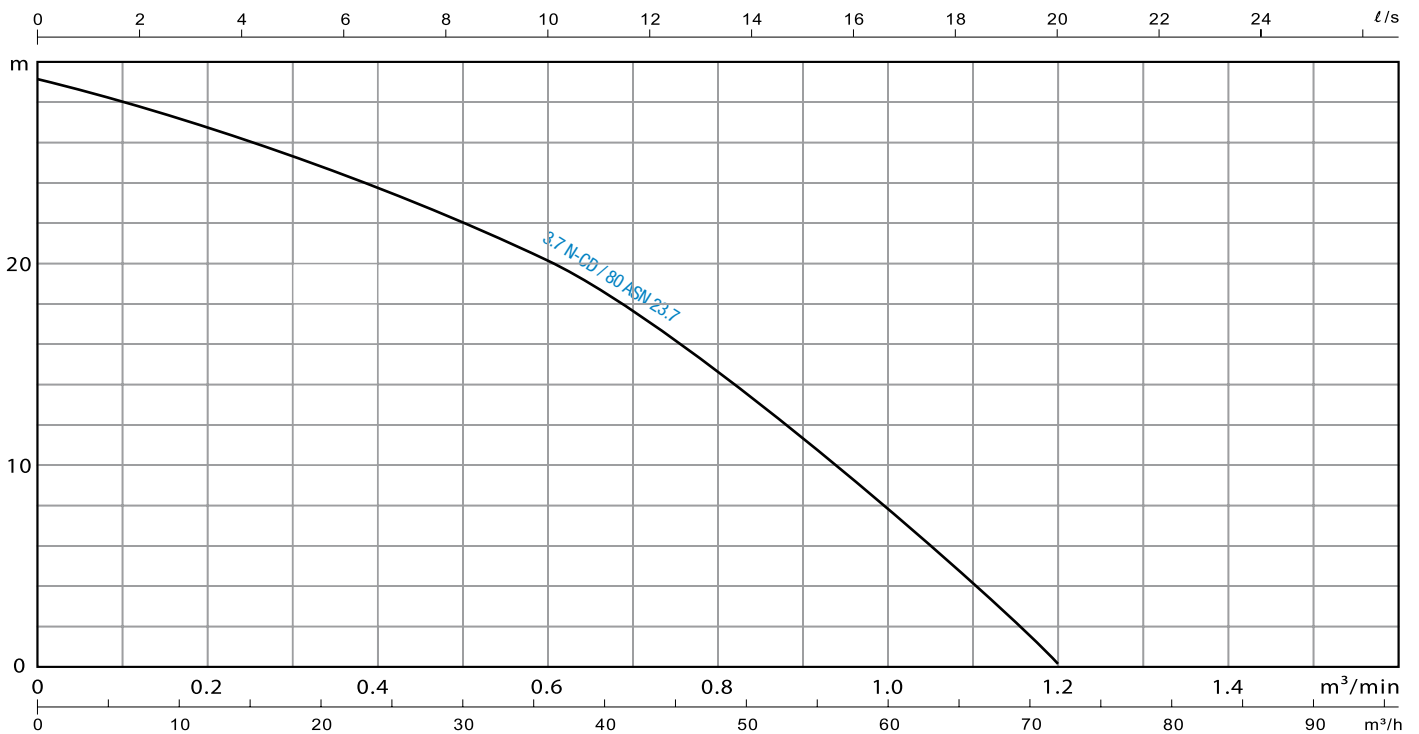
APPLICATION MODEL	MM		
	DA	DB	BOLZEN
3.7 N-CD / 80 ASN 23.7	67	140	M 12x25



3.7 N-CD / 80 ASN 23.7

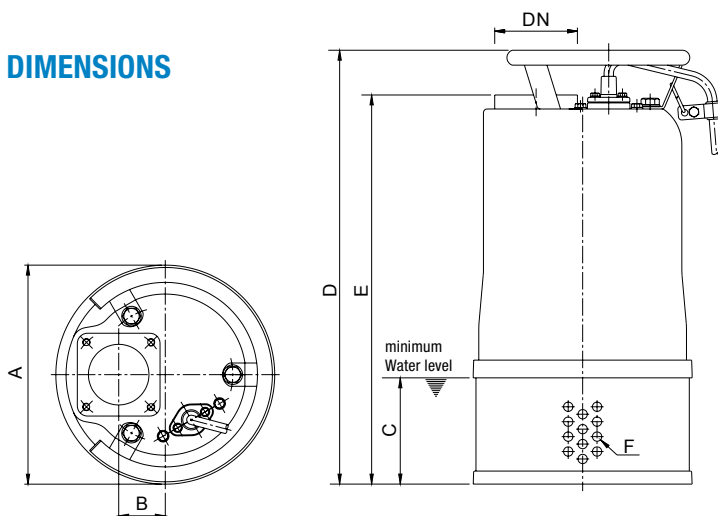


PERFORMANCE CURVES



MODEL	POWER kW	DISCHARGE mm (Zoll)	Q:m³/min Q:m³/h	0.1	0.2	0.4	0.6	0.8	1.0	1.2	1.4
				6	12	24	36	48	60	72	84
3.7 N-CD / 80 ASN 23.7	3.7	80 (3")	H:m	27.4	26.2	23.5	20	14.5	6.3	/	/

DIMENSIONS



3.7 N-CD / 80 ASN 23.7

MODEL	DIMENSIONS - MM						
	DN	A	B	C	D	E	F
3.7 N-CD / 80 ASN 23.7	80	235	50	115	496	433	10



NAUTIC / AS

35 N-CD / 100ASN25.5 • 35 H-CD/ 80 ASH25.5 • 35 V-CD/150ASL25.5



35N-CD/100ASN25.5
35H-CD/80ASH25.5
35V-CD/150ASL25.5

MATERIAL OVERVIEW

TECHNICAL DESCRIPTION		
LIMITS OF USE	Liquid Temp.	0 ~ 40 °C
	Applications	Wastewater with solids up to 10 mm from tunneling, construction sites, industry, commune and agriculture
	Submersion Depth	30 m
TYPE	Frequency	50 Hz
	Motor	2P • Dry Motor
	Insulation	Class F
	Protection	IP68
	Protector	Auto Cut / Guard System
	Bearing	Ball Type
	M.Seal	Double M. Seal
MATERIAL	Impeller	Vortex Impeller / Enclosed channel Impeller
	Outer Cover	Stainless Steel (1.4301)
	Motor Frame	Cast Iron (GGL 200)
	Main Shaft	Stainless Steel (1.4028)
	M.Seal	Upper: Carbon/Ceramic Lower: Silicon/Silicon
	Casing	Cast Iron (GGL 200)
	Impeller	High Chrome (HCR)
	Wear ring	High Chrome (HCR)
	Casing Cover	Cast Iron (GGL 200)
	Cable	H07RN-F



Vortex Impeller



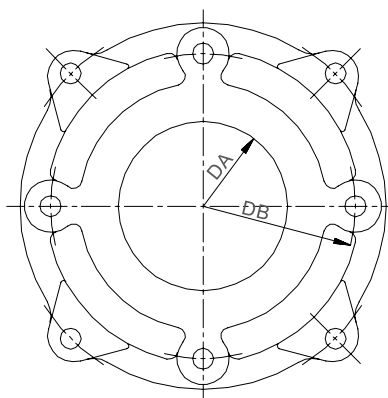
N/V Types
Enclosed channel impeller

SPECIFICATIONS

MODEL	POWER kW	DISCHARGE mm (Inch)	STANDARD		MAX		SOLID PASSAGE mm	WEIGHT (without Cable) 400 V - kg	CABLE LENGTH	SPEED RPM
			m-m ³ /min	m-m ³ /h	m-m ³ /min	m-m ³ /h				
35N-CD/100ASN25.5	5.5	100 (4")	19 - 1.0	19 - 60	29 - 2.0	29 - 120	10	75	20 m	2900
35H-CD/80ASH25.5	5.5	80 (3")	28 - 0.5	28 - 30	38 - 1.3	38 - 78	10	72	20 m	2900
35V-CD/150ASL25.5	5.5	150 (6")	12 - 1.5	12 - 90	25 - 2.4	25 - 144	10	78	20 m	2900

CASING COVER (SPECIAL DRILLING BY ORDER)

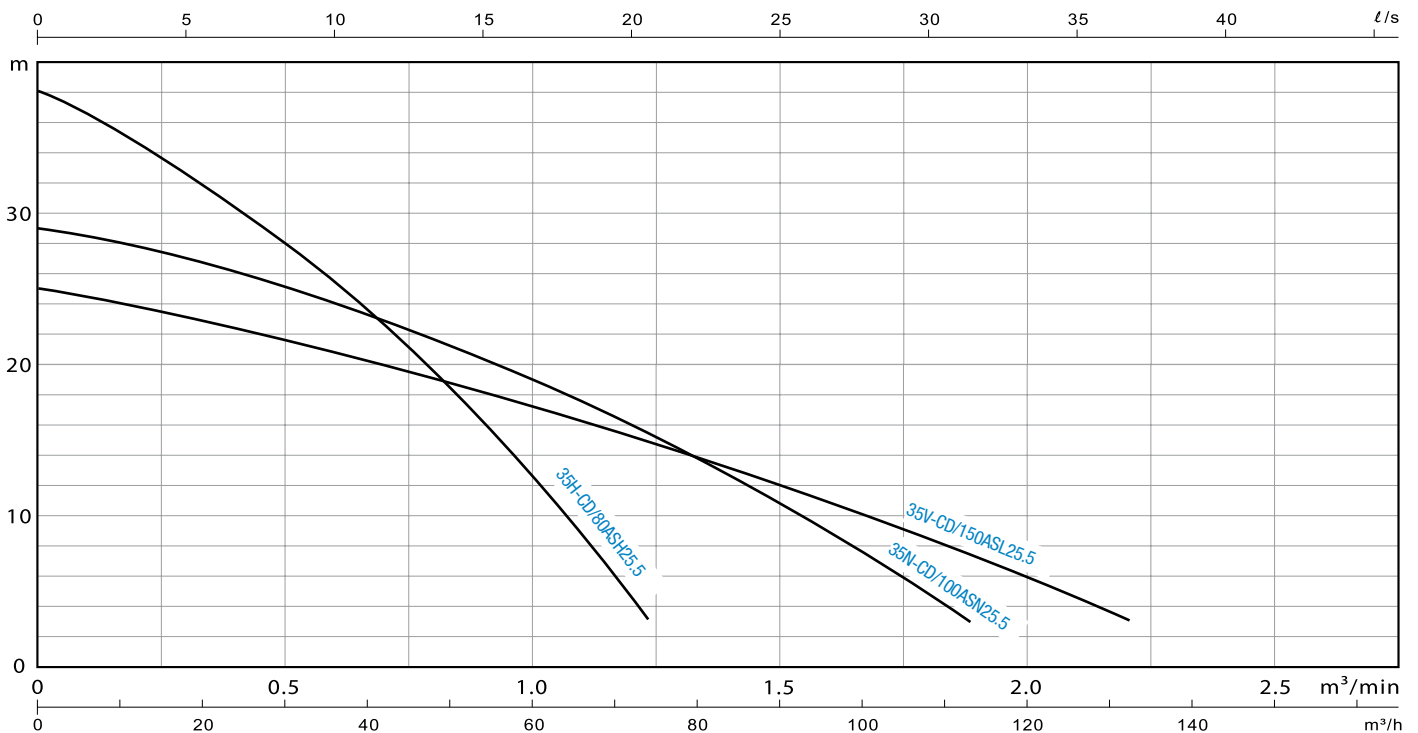
APPLICATION MODEL	MM		
	DA	DB	BOLT
35N-CD/100ASN25.5	87	150	M 12x25
35V-CD/150ASL27.5	97	175	M 12x25



35N-CD/100ASN25.5 • 35V-CD/150ASL27.5

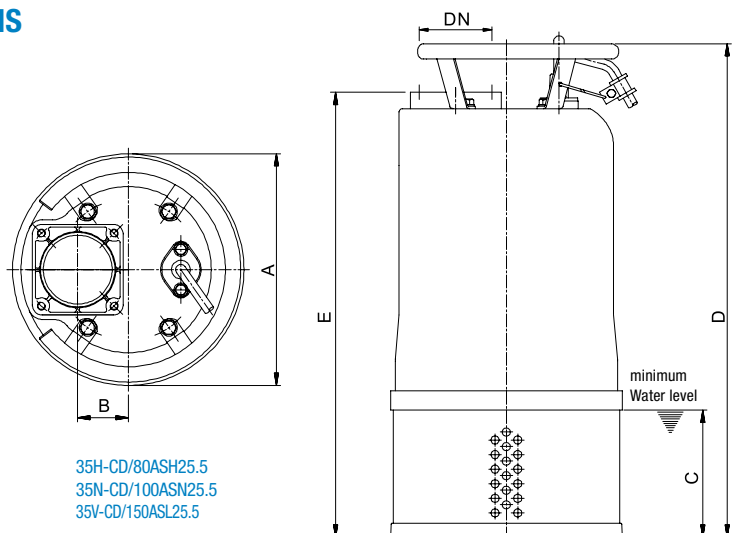


PERFORMANCE CURVES



MODEL	POWER kW	DISCHARGE mm (Inch)	Q: m³/min Q: m³/h	0.25	0.5	0.75	1.0	1.25	1.5	2.0	2,25
				15	30	45	60	75	90	120	135
35N-CD/100ASN25.5	5.5	100 (4")	H:m	28.0	25.1	22.3	19.0	15.1	10.8	/	/
35H-CD/80ASH25.5	5.5	80 (3")		33.5	28.0	21.0	12.5	2.3	/	/	/
35V-CD/150ASL25.5	5.5	150 (6")		23.5	21.5	19.5	17.0	14.6	12.0	5.8	2.4

DIMENSIONS



35H-CD/80ASH25.5
35N-CD/100ASN25.5
35V-CD/150ASL25.5

MODEL	DIMENSIONS - MM					
	DN	A	B	C	D	E
35H-CD/80ASH25.5	80	286	63	130	610	550
35N-CD/100ASN25.5	100	286	63	130	610	550
35V-CD/150ASL25.5	150	286	63	130	610	550



NAUTIC / AS

4 N-CD/100ASN27.5 • 4 V-CD/150ASL27.5



4N-CD/100ASN27.5
4V-CD/150ASL27.5

MATERIAL OVERVIEW

TECHNICAL DESCRIPTION		
LIMITS OF USE	Liquid Temp.	0 ~ 40 °C
	Applications	Wastewater with solids up to 10 mm from tunneling, construction sites, industry, commune and agriculture
	Submersion Depth	30 m
TYPE	Frequency	50 Hz
	Motor	2P • Dry Motor
	Insulation	Class F
	Protection	IP68
	Protector	Auto Cut / Guard System
	Bearing	Ball Type
	M.Seal	Double M. Seal
MATERIAL	Impeller	Enclosed Channel
	Outer Cover	Stainless Steel (14301)
	Motor Frame	Cast Iron (GGL 200)
	Main Shaft	Stainless Steel (1,4028)
	M.Seal	Upper: Carbon/Ceramic Lower: Silicon/Silicon
	Casing	Cast Iron (GGL 200)
	Impeller	High Chrome (HCR)
	Wear ring	High Chrome (HCR)
	Casing Cover	Cast Iron (GGL 200)
Cable	H07RN-F	



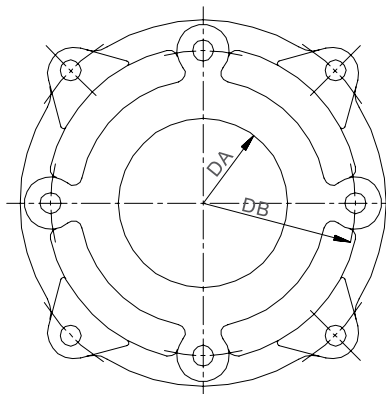
N/V Types
Enclosed-channel
Impeller

SPECIFICATIONS

MODEL	POWER kW	DISCHARGE mm (Inch)	STANDARD		MAX		SOLID PASSAGE mm	WEIGHT (without Cable) 400 V - kg	CABLE- LENGTH	SPEED RPM
			m-m ³ /min	m-m ³ /h	m-m ³ /min	m-m ³ /h				
4N-CD/100ASN27.5	7.5	100 (4")	25 - 1.0	25 - 60	39 - 1.8	39 - 108	10	80	20 m	2900
4V-CD/150ASL27.5	7.5	150 (6")	17 - 1.5	17 - 90	30 - 2.7	30 - 162	10	81	20 m	2900

CASING COVER (SPECIAL DRILLING BY ORDER)

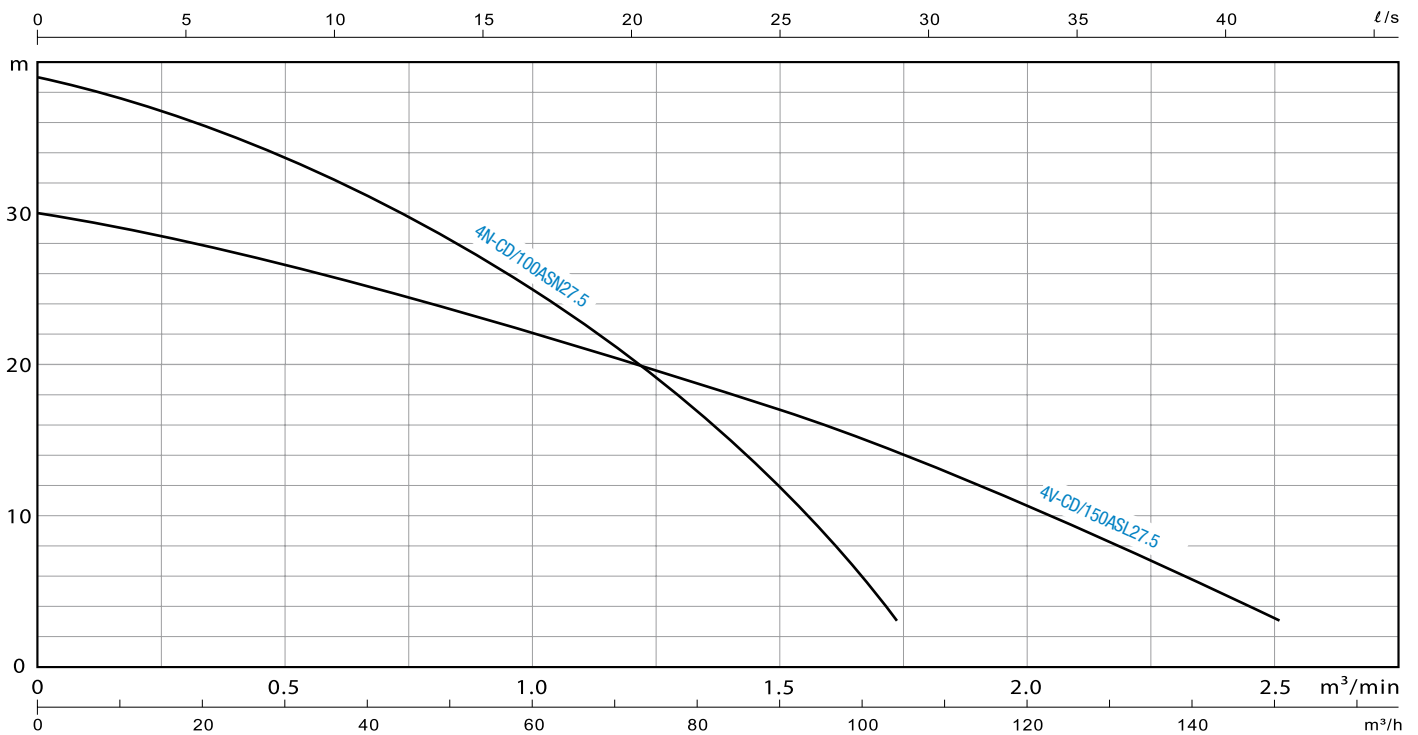
APPLICATION MODEL	MM		
	DA	DB	BOLT
4N-CD/100ASN27.5	87	150	M 12x25
4V-CD/150ASL27.5	97	175	M 12x25



4N-CD/100ASN27.5, 4V-CD/150ASL27.5

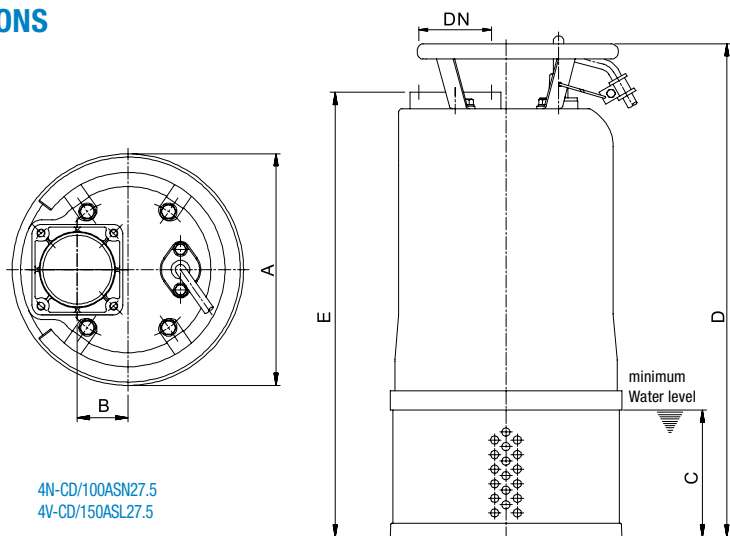
ZERTIFIZIERT NACH
ISO 9001
CERTIFIED

PERFORMANCE CURVES



MODEL	POWER	DISCHARGE	Q:m³/min	0.25	0.5	0.75	1.0	1.25	1.5	2.0	2.25
	kW			mm (Inch)	Q:m³/h	15	30	45	60	75	90
4N-CD/100ASN27.5	7.5	100 (4")	H:m	36.7	33.5	29.7	24.8	19.0	12.0	/	/
4V-CD/150ASL27.5	7.5	150 (6")		28.5	26.5	24.4	22.0	19.6	17.0	10.6	7.0

DIMENSIONS



MODEL	DIMENSIONS - MM					
	DN	A	B	C	D	E
4N-CD/100ASN27.5	100	286	63	130	610	550
4V-CD/150ASL27.5	150	286	63	130	610	550



NAUTIC / AS SUBMERSIBLE DEWATERING PUMPS

CONSTRUCTION FEATURES

- HCR Radial Impeller
- Double Mechanical Seal in Silicon Carbide
- Designed with double outer casing and water-cooled motor, suitable for dewatering at low levels
- The integrated HEIDE-Guard-System prevents motor from burn out, detects voltage drop and over-current.

Before operation please connect with a protection plug or insert to a switchboard, which is prepared for motor-current.

CONTENTS OF DELIVERY

- single-phase pumps with 20 m cable (H07RN-F) and safety plug
- 3-phase pumps with 20 m cable (H07RN-F), bare cable end

ACCESSORIES AND OPTIONS

- Automatic control panel
- Ropes
- Pipes, fittings and hoses
- Protection plug

ALL PUMPS AVAILABLE IN RENTAL FLEET

Subject to technical modifications without giving prior notice.
Our general terms and conditions (AGB) apply



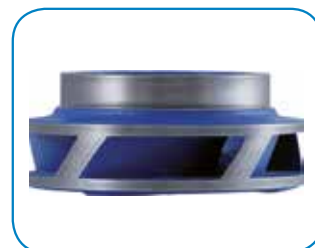
HEIDE-PUMPEN GmbH

Am Maibusch 102 – 106
45883 Gelsenkirchen

phone +49 (0) 209 941 39-0
fax +49 (0) 209 941 39-99

info@heide-pumpen.de
www.heide-pumpen.de

NOTES



Protection Plug with phase inverter and rotational direction control

