

## NAUTILUS / IC SUBMERSIBLE DEWATERING PUMPS

**POWER: 1,1 ~ 7,5 kW**  
**MAX. HEAD: 39 m**  
**MAX. CAPACITY: 162 m<sup>3</sup>/h (2,7 m<sup>3</sup>/min)**



### PRODUCT NOMENCLATURE

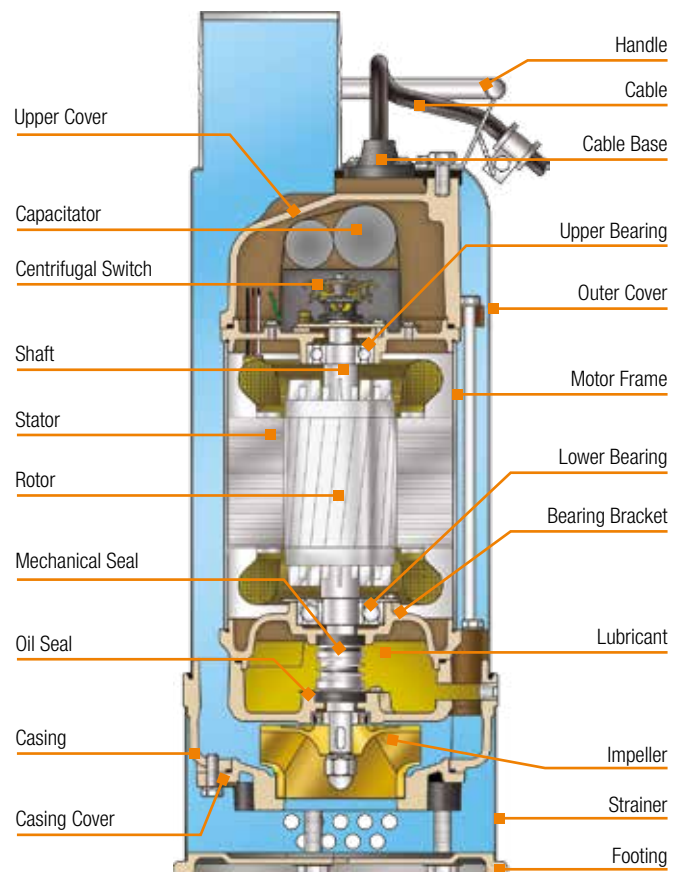
Example: Nautilus 600 N C D / IC - 2 15  
Type Version Dis-charge Current

### FEATURES

- Standard design incorporating: cable and dry motor equipped with thermal Auto-Cut/Guard System, prevent motor from over heating. Abrasion resistant double mechanical seal and additional oil seal.
- Superior design of water cooled motor to ensure long life operation with high efficiency and energy savings.
- For water applications above or below surface the Nautilus/IC pump strainer can be easily removed and replaced with a check valve, which allows dewatering of underground water applications

### APPLICATIONS

- Aquiculture water supply and drainage
- Water supply for agricultural irrigation systems and underground water pumping
- Landscape, water feature and horticulture irrigation
- Extraction of water from rivers, lakes and reservoirs



# NAUTILUS / IC

600 N-CD / IC-215 • 1 N-CD / IC-32A • 2 N-CD / IC-33A

3 N-CD / IC-43A • 35 N-CD / IC-45

## MATERIAL OVERVIEW



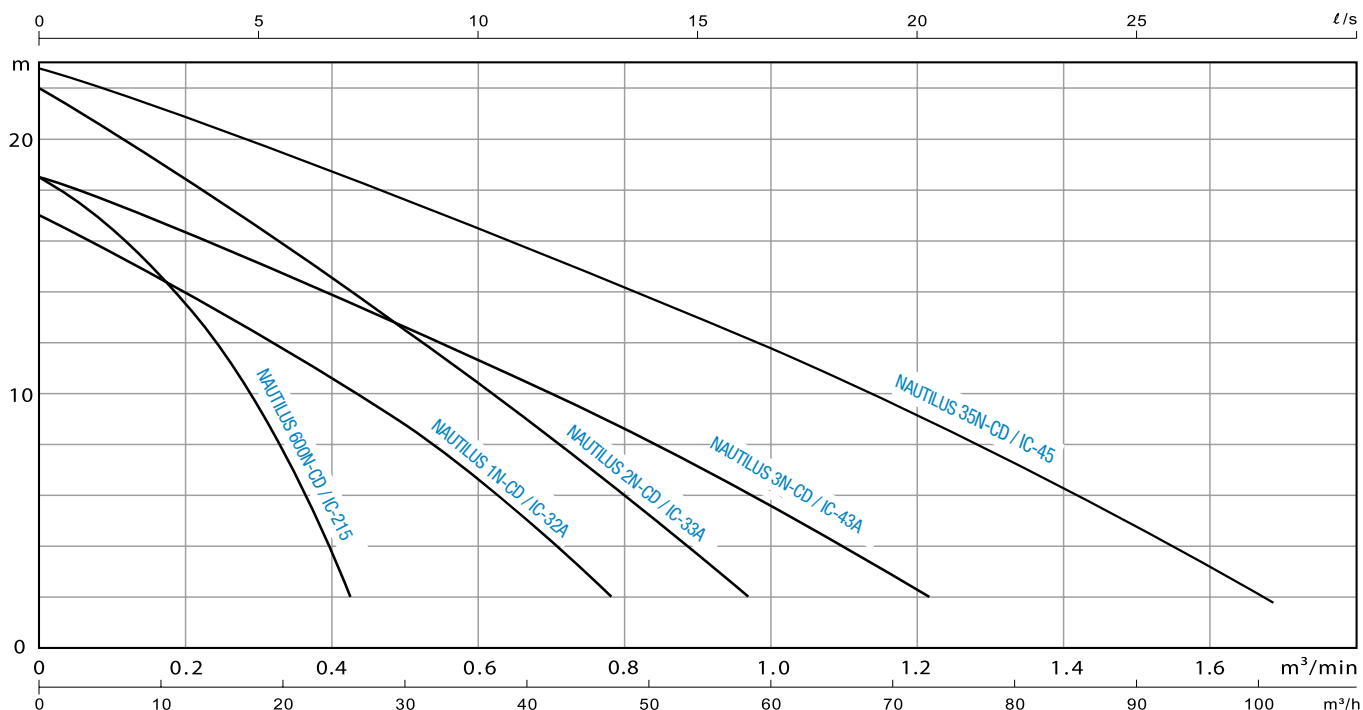
600 N-CD/  
IC-215

1 N-CD/IC-32A  
2 N-CD/IC-33A  
3 N-CD/IC-43A

35 N-CD/IC45

TECHNICAL DESCRIPTION		
LIMITS OF USE	Liquid Temp.	0 ~ 40 °C
	Applications	Agriculture irrigation circulating water, dewatering
	Submersion Depth	30 m
TYPE	Frequency	50 Hz
	Motor	2P • Dry Motor
	Insulation	Class B (3,7 kW: Class F)
	Protection	IP68
	Protector	Auto Cut/Guard-System
	Bearing	Ball Type
	M.Seal	Double M. Seal
	Impeller	Enclosed channel impeller
MATERIAL	Outer Cover	Stainless Steel (1.4301)
	Upper Cover	Cast Iron (GGL 200)
	Motor Frame	Stainless Steel (1.4301) / Cast Iron (GGL 200)
	Main Shaft	Stainless Steel (1.4000)
	M.Seal	Upper: Carbon/Ceramic Lower: Silicon/Silicon
	Casing	Cast Iron (GGL 200)
	Impeller	Bronze / Chrome steel
	Cable	H07RN-F

## PERFORMANCE CURVES



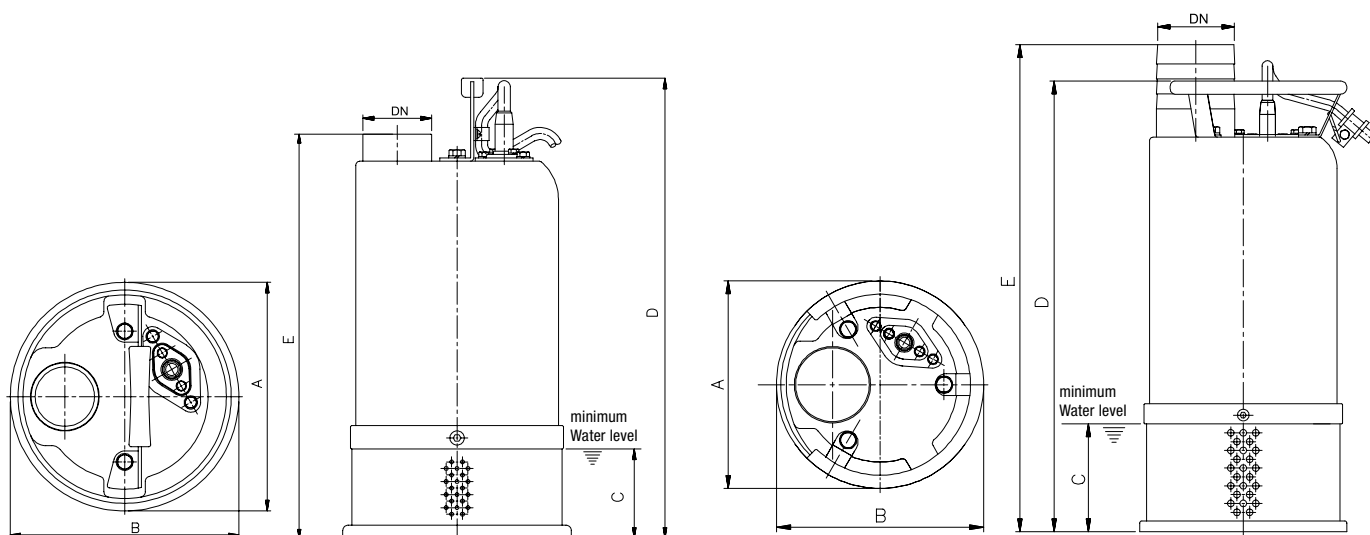
MODEL	POWER kW	DISCHARGE mm (Inch)	Q:m³/min Q:m³/h	0.2	0.4	0.6	0.8	1.0	1.2	1.4	1.6
				12	24	36	48	60	72	84	96
600N-CD/IC-215	1.1	50 (2")	H:m	13.5	3.8	/	/	/	/	/	/
1N-CD/IC-32A	1.5	80 (3")		14.0	10.6	6.6	1.5	/	/	/	/
2N-CD/IC-33A	2.2	80 (3")		18.4	14.5	10.4	6.0	1.2	/	/	/
3N-CD/IC-43A	2.2	100 (4")		16.3	13.9	11.3	8.6	5.6	2.3	/	/
35N-CD/IC-45	3.7	100 (4")		21.0	18.9	16.7	15.8	12.0	8.0	6.5	3.4



## SPECIFICATIONS

MODEL	POWER kW	DISCHARGE mm (Inch)	STANDARD		MAX.		SOLID PASSAGE mm	WEIGHT (without Cable) 400 V - kg	CABLE LENGTH	SPEED RPM
			m-m <sup>3</sup> /min	m-m <sup>3</sup> /h	m-m <sup>3</sup> /min	m-m <sup>3</sup> /h				
600N-CD/IC-215	1,1	50 (2")	13,5 - 0,2	13,5 - 12	18,5 - 0,45	18,5 - 27	3,5	24	20 m	2900
1N-CD/IC-32A	1,5	80 (3")	9 - 0,5	9 - 30	17 - 0,85	17 - 51	7,5	35	20 m	2900
2N-CD/IC-33A	2,2	80 (3")	12,5 - 0,5	12,5 - 30	22 - 1,05	22 - 63	7,5	40	20 m	2900
3N-CD/IC-43A	2,2	100 (4")	10 - 0,7	10 - 42	18,5 - 1,4	18,5 - 84	10,5	39	20 m	2900
35N-CD/IC-45	3,7	100 (4")	12 - 1,0	12 - 60	23 - 1,8	23 - 108	10,5	45	20 m	2900

## DIMENSIONS



600N-CD/IC-215

1N-CD/IC-32A • 2N-CD/IC-33A • 3N-CD/IC-43A • 35N-CD/IC-45

MODEL	DIMENSIONS - MM					
	DN	A	B	C	D	E
600N-CD/IC-215	50	210	210	85	423	429
1N-CD/IC-32A	80	238	238	120	479	521
2N-CD/IC-33A	80	238	238	120	479	521
3N-CD/IC-43A	100	238	238	120	490	536
35N-CD/IC-45	100	238	238	120	515	561



All data is subject to change in respect of system design or printing errors.

## ALL PUMPS AVAILABLE IN RENTAL FLEET

Subject to technical modifications without giving prior notice.  
Our general terms and conditions (AGB) apply

# NAUTILUS / IC

NAUTILUS 4 / IC-48 • NAUTILUS 4V / IC-410

NAUTILUS 6 / IC-68 • NAUTILUS 7 / IC-610



**POWER:**  
5,5 ~ 7,5 kW

**MAX. HEAD:**  
39 m

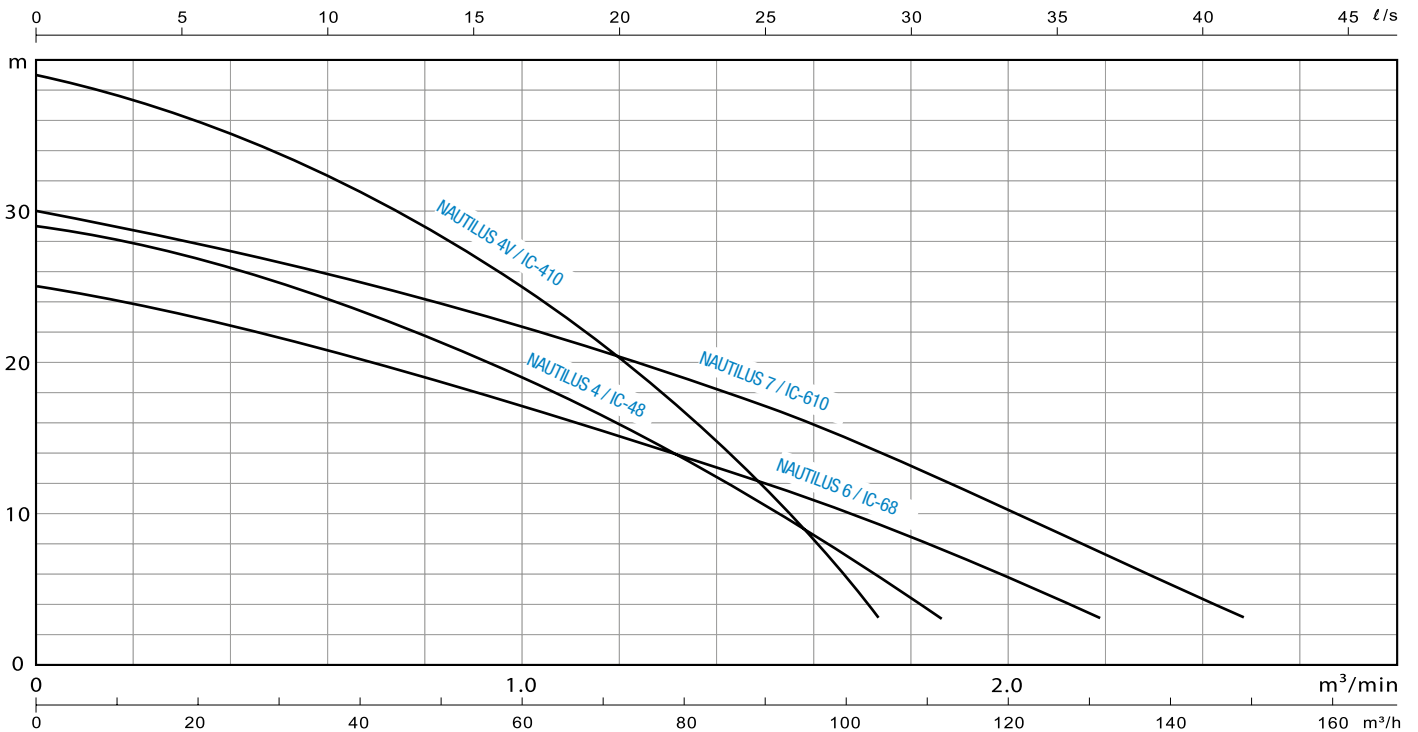
**MAX. CAPACITY:**  
162 m<sup>3</sup>/h (2,7 m<sup>3</sup>/min)

NAUTILUS 4 / IC-48  
NAUTILUS 4V / IC-410  
NAUTILUS 6 / IC-68  
NAUTILUS 7 / IC-610

## MATERIAL OVERVIEW

TECHNICAL DESCRIPTION		
LIMITS OF USE	Liquid Temp.	0 ~ 40 °C
	Applications	Agriculture irrigation circulating water, dewatering
	Submersion Depth	30 m
TYPE	Frequency	50 Hz
	Motor	2P • Dry Motor
	Insulation	Class F
	Protection	IP68
	Protector	Auto Cut/Guard-System
	Bearing	Ball Type
	M.Seal	Double M. Seal
	Impeller	Enclosed Channel
MATERIAL	Outer Cover	Stainless Steel (1.4301)
	Upper Cover	Cast Iron (GGL 200)
	Motor Frame	Cast Iron (GGL 200)
	Main Shaft	Stainless Steel (1.4000)
	M.Seal	Upper: Carbon/Ceramic Lower: Silicon/Silicon
	Casing	Cast Iron (GGL 200)
	Impeller	Chrome steel
	Wear Ring	Chrome steel
	Cable	H07RN

## PERFORMANCE CURVES



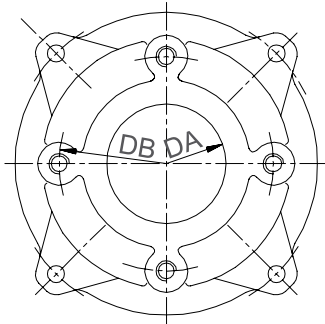
MODEL	POWER kW	DISCHARGE mm (Inch)	Q:m <sup>3</sup> /min Q:m <sup>3</sup> /h	0.4	0.8	1.2	1.6	1.8	2.0	2.2	2.4
				24	48	72	96	108	120	132	144
NAUTILUS 4 / IC-48	5.5	100 (4")	H <sub>m</sub>	26.2	21.8	15.9	8.6	4.4	/	/	/
NAUTILUS 4V / IC-410	7.5	100 (4")		35.1	28.9	20.3	8.3	/	/	/	/
NAUTILUS 6 / IC-68	5.5	150 (6")		22.4	19	15.1	10.9	8.5	5.8	2.9	/
NAUTILUS 7 / IC-610	7.5	150 (6")		27.4	24.2	20.4	15.7	12.3	10.4	7.4	4.5



## SPECIFICATIONS

MODEL	POWER kW	DISCHARGE mm (Inch)	STANDARD		MAX.		SOLID PASSAGE mm	WEIGHT (without Cable) 400 V - kg	CABLE LENGTH	SPEED RPM
			m-m <sup>3</sup> /min	m-m <sup>3</sup> /h	m-m <sup>3</sup> /min	m-m <sup>3</sup> /h				
NAUTILUS 4 / IC-48	5.5	100 (4")	19 - 1.0	19 - 60	29 - 2.0	29 - 120	10	75	20 m	2900
NAUTILUS 4V / IC-410	7.5	100 (4")	25 - 1.0	25 - 60	39 - 1.8	39 - 108	10	80	20 m	2900
NAUTILUS 6 / IC-68	5.5	150 (6")	12 - 1.5	12 - 90	25 - 2.4	25 - 144	10	78	20 m	2900
NAUTILUS 7 / IC-610	7.5	150 (6")	17 - 1.5	17 - 90	30 - 2.7	30 - 162	10	81	20 m	2900

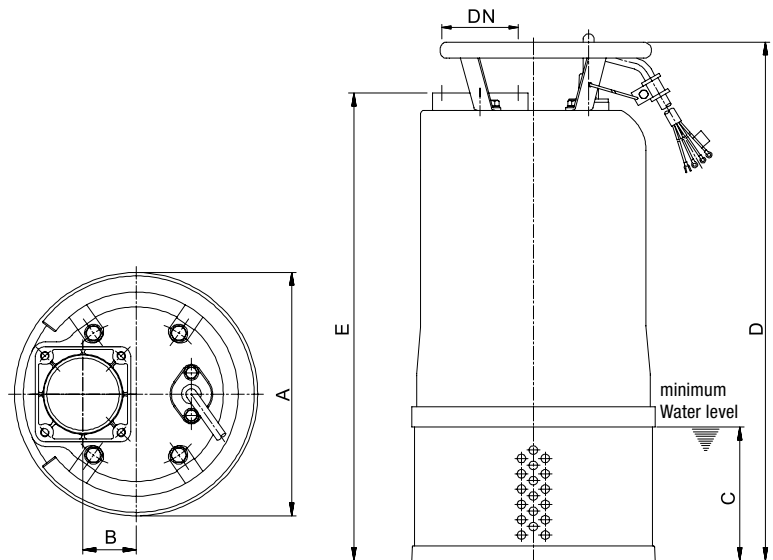
## CASING



NAUTILUS 4 / IC-48 • NAUTILUS 4V / IC-410 • NAUTILUS 6 / IC-68 • NAUTILUS 7 / IC-610

APPLICATION MODEL	MM		
	DA	DB	BOLT
NAUTILUS 4 / IC-48	87	150	M 12 x 25
NAUTILUS 4V / IC-410	87	150	M 12 x 25
NAUTILUS 6 / IC-68	97	175	M 12 x 25
NAUTILUS 7 / IC-610	97	175	M 12 x 25

## DIMENSIONS



NAUTILUS 4 / IC-48 • NAUTILUS 4V / IC-410 • NAUTILUS 6 / IC-68 • NAUTILUS 7 / IC-610

MODEL	DIMENSIONS - MM					
	DN	A	B	C	D	E
NAUTILUS 4 / IC-48	100	286	63	130	610	550
NAUTILUS 4V / IC-410	100	286	63	130	610	550
NAUTILUS 6 / IC-68	150	286	63	130	610	550
NAUTILUS 7 / IC-610	150	286	63	130	610	550



## ALL PUMPS AVAILABLE IN RENTAL FLEET

Subject to technical modifications without giving prior notice.  
Our general terms and conditions (AGB) apply

All data is subject to change in respect of system design or printing errors.

# NAUTILUS / IC

## NAUTILUS 35-D/IC-45 TANDEM VERSION

# NAUTILUS 35-D TANDEM VERSION

## The benchmark of groundwater lowering

ZERTIFIZIERT NACH  
**ISO 9001**  
CERTIFIED

### MATERIAL OVERVIEW

- Radial impeller in Bronze / Chrome steel
- Double Mechanical Seal with additional oil seal
- Absolutely waterproof cable entry
- Monitoring System (Heide-Guard-System)
- Integrated checkvalve (Tandem)
- **Solids passing up to 10 mm**
- **Max. Head 45 m**
- **Max. Capacity 108 m<sup>3</sup>/h**

TECHNICAL DESCRIPTION		
LIMITS OF USE	Liquid Temp.	0 ~ 40 °C
	Applications	Agriculture irrigation circulating water, dewatering
	Submersion Depth	30 m
TYPE	Frequency	50 Hz
	Motor	2P • Dry Motor
	Insulation	3,7 kW: Class F
	Protection	IP68
	Protector	Auto Cut/Guard-System
	Bearing	Ball Type
	M.Seal	Double M. Seal
	Impeller	Enclosed Channel
MATERIAL	Outer Cover	Stainless Steel (1.4301)
	Upper Cover	Cast Iron (GGL 200)
	Motor Frame	Stainless Steel (1.4301) / Cast Iron (GGL 200)
	Main Shaft	Stainless Steel (1.4000)
	M.Seal	Upper: Carbon/Ceramic Lower: Silicon/Silicon
	Casing	Cast Iron (GGL 200)
	Impeller	Bronze/Chrome Steel
	Cable	H07RN-F

### PERFORMANCE CURVES



All data is subject to change in respect of system design or printing errors.



# NAUTILUS / IC

## SUBMERSIBLE DEWATERING PUMPS

### CONSTRUCTION FEATURES

- Bronze / Chrome Steel Radial Impeller
- Double Mechanical Seal in Silicon carbide
- The integrated HEIDE-Guard-System prevents motor from burn out, detects voltage drop and over-current.

Before operation please connect with a protection plug or insert to a switchboard, which is prepared for motor-current.

### CONTENTS OF DELIVERY

- 3-phase pumps with 20 m cable (H07RN-F), bare cable end

### ACCESSORIES AND OPTIONS

- Slimline version
- Automatic control panel
- Ropes
- Pipes, fittings and hoses
- Protection plug

#### NOTES:

---



---



---



---



---



---



---



---



---



---



Protection Plug with phase inverter and rotational direction control

External Hand-0-Automatic control with 2 electrodes

### ALL PUMPS AVAILABLE IN RENTAL FLEET

Subject to technical modifications without giving prior notice.  
Our general terms and conditions (AGB) apply



### HEIDE-PUMPEN GMBH

Am Maibusch 102 – 106  
45883 Gelsenkirchen

phone +49 (0) 209 941 39-0  
fax +49 (0) 209 941 39-99

info@heide-pumpen.de  
www.heide-pumpen.de

