

NEO / S STAINLESS STEEL SUBMERSIBLE PUMPS

POWER: 0.4 ~3.7 kW
MAX. HEAD: 21.5 m
MAX. CAPACITY: 66 m³/h (1.1 m³/min)



PRODUCT NOMENCLATURE

Example 1: Neo 400 W / S S - 2 1 A F
Type Version Current

VITON O-RING

- Viton O-rings are used throughout the pump to give better pump life in corrosive acid and aggressive media

FEATURES

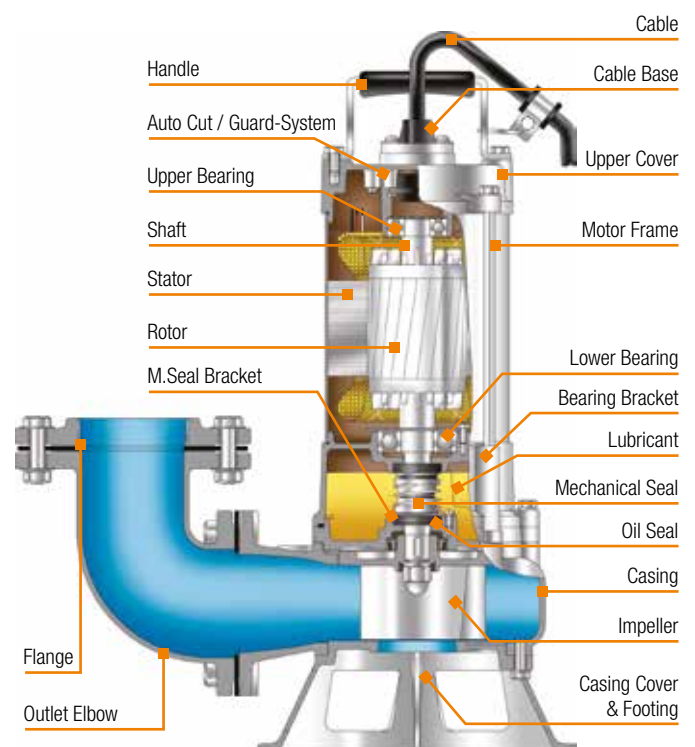
- Best structure design, dry motor, Double Mechanical Seals, equipped Auto-cut protector, pumps casting, out cover adopt stainless steel material, acidresisting Silicon carbide seals
- This series is suitable for all light acid, corrosive and/or sea water applications

APPLICATIONS

- Water drainage for industries
- Sanitary sewer, single and multifamilies drainage
- Water drainage for chemical, pharmaceutical and metal processing factory

INVESTMENT CASTING

- Precision casting with the use of an advanced stainless investment casting method produces the highest quality with a smooth surface finish



NEO / S

400W,400D/SS-05A • 500W,500D/SS-21A



400W, 400D/SS-05A



500W, 500D/SS-21A



Vortex impeller

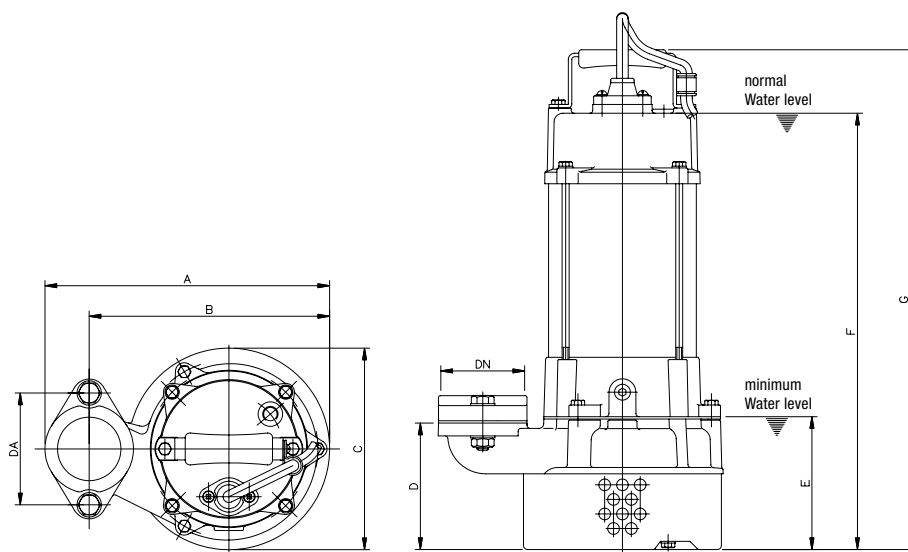
MATERIAL OVERVIEW

TECHNICAL DESCRIPTION		
LIMITS OF USE	Liquid Temp.	0~40°C
	Applications	Sewage up to 10mm solids from industry, commune and agriculture
	Submersion Depth	30m
TYPE	Frequency	50 Hz
	Motor	2P • Dry Motor
	Insulation	Class B
	Protection	IP68
	Protector	Auto Cut/Guard-System
	Bearing	Ball Type
	M.Seal	Double M. Seal
MATERIAL	Impeller	Vortex
	Upper Cover	Stainless Steel
	Motor Frame	Stainless Steel (1.4401)
	Main Shaft	Stainless Steel (1.4401)
	M.Seal	Upper: Carbon/Ceramic Lower: Silicon/Silicon
	Casing	Stainless Steel
	Impeller	Stainless Steel
Cable	H07RN-F	

SPECIFICATIONS

MODEL	POWER kW	DISCHARGE mm (Inch)	STANDARD		MAX		SOLID PASSAGE mm	WEIGHT (without Cable)		CABLE LENGTH	SPEED RPM
			m-m ³ /min	m-m ³ /h	m-m ³ /min	m-m ³ /h		230 V - kg	400 V - kg		
400W,D/SS-05A	0,4	50 (2")	7 - 0.12	7 - 7.2	10 - 0.26	10 - 15.6	10	15	14	20 m	2900
500W,D/SS-21A	0,75	50 (2")	10 - 0.17	10-10.2	14.5 - 0.36	14.5 - 21	10	17	16	20 m	2900

DIMENSIONS

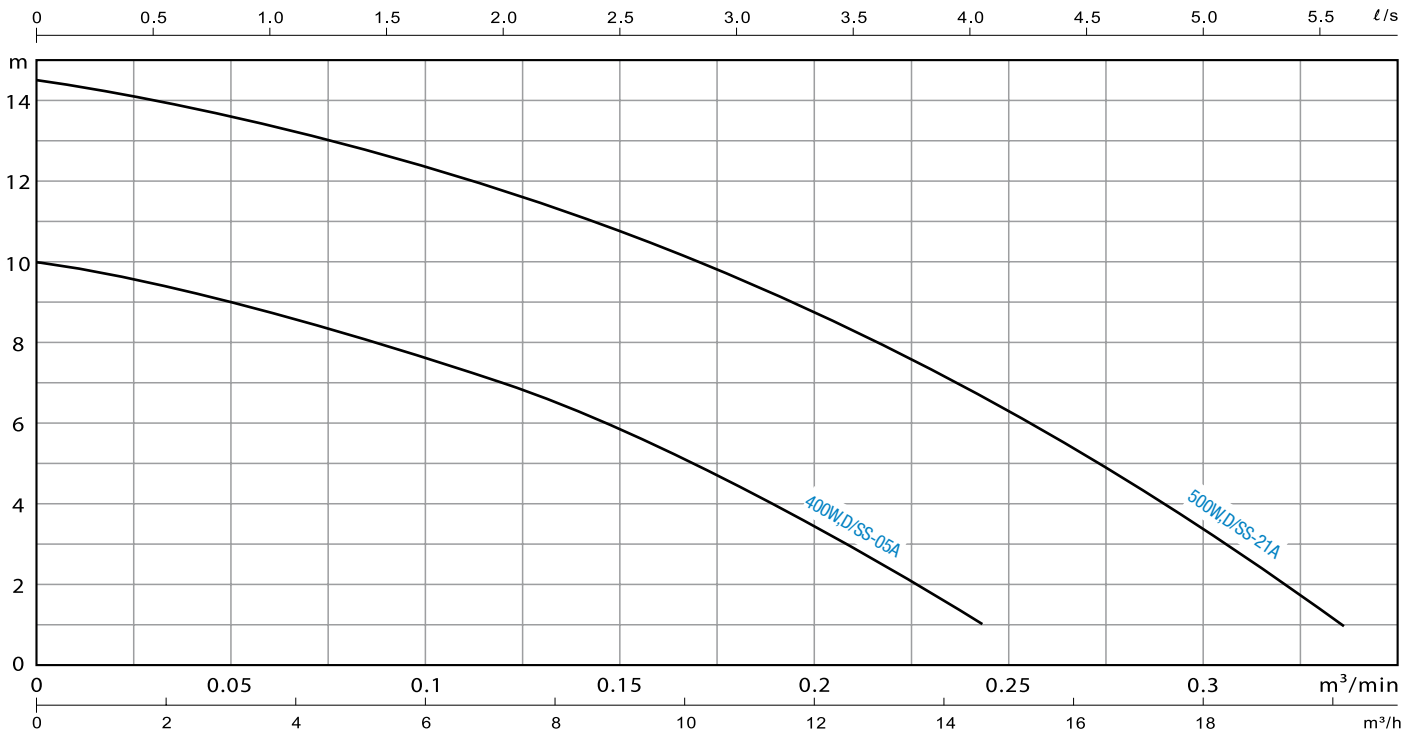


400W,D/SS-05A • 500W,D/SS-21A

MODEL	DIMENSIONS - MM							
	DN	A	B	C	D	E	F	G
400W,D/SS-05A	50	245	207	174	109	115	385	439
500W,D/SS-21A	50	245	207	174	109	115	385	439

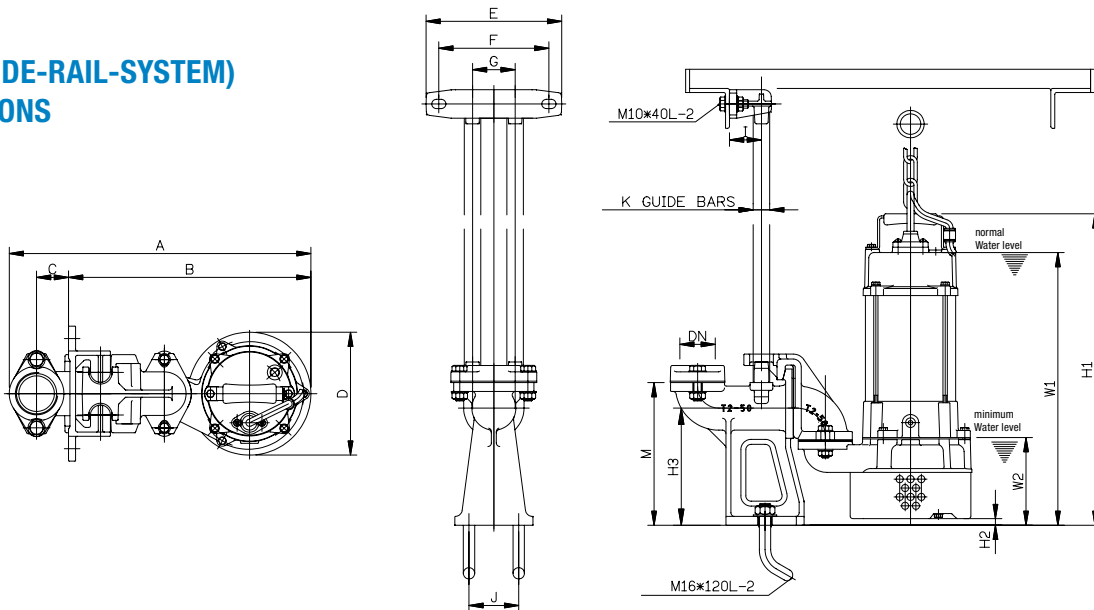


PERFORMANCE CURVES



MODEL	POWER kW	DISCHARGE mm (Inch)	Q:m³/min Q:m³/h	0.025	0.05	0.1	0.15	0.2	0.25	0.3
				1.5	3	6	9	12	15	18
400W,D/SS-05A	0,4	50 (2")	H:m	9.5	9.0	7.6	5.8	3.4	0.6	/
500W,D/SS-21A	0,75	50 (2")		14.1	13.6	12.3	10.7	8.7	6.3	3.4

GRS (GUIDE-RAIL-SYSTEM) DIMENSIONS



400W,D/SS-05A • 500W,D/SS-21A : GRS ST2-50

MODEL	DIMENSIONS - MM																
	DN	A	B	C	D	E	F	G	I	J	K	M	W1	W2	H1	H2	H3
400W,D/SS-05A	50	425	342	45	173	190	155	60	50	70	19	201	395	110	449	8	165
500W,D/SS-21A	50	425	342	45	173	190	155	60	50	70	19	201	395	110	449	8	165



NEO / S

F5W,F5D/SF-05AU • F10W,F10D/SF-21AU



Vortex impeller

F5W,D/S-05AU
F10W,D/S-21AU

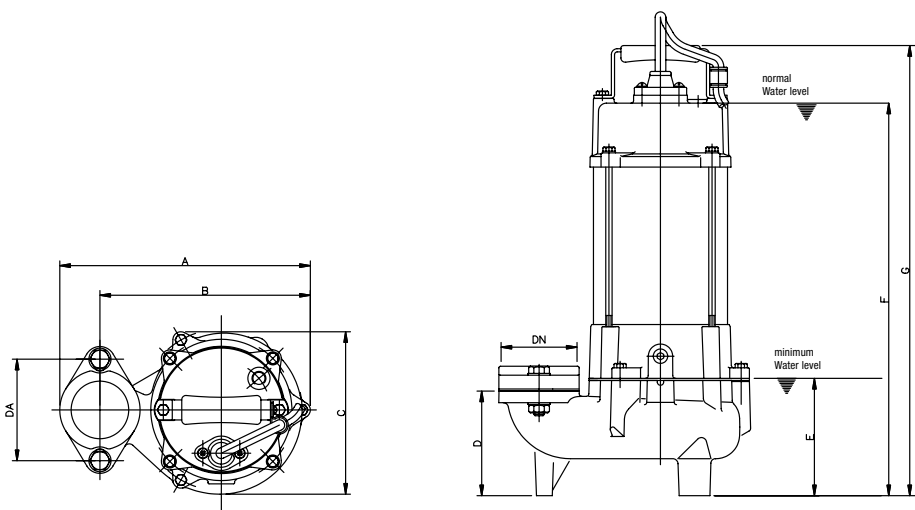
MATERIAL OVERVIEW

TECHNICAL DESCRIPTION		
LIMITS OF USE	Liquid Temp.	0 ~ 40 °C
	Applications	Sewage and wastewater up to 35mm solids from industry, commune and agriculture
	Submersion Depth	30 m
TYPE	Frequency	50 Hz
	Motor	2P • Dry Motor
	Insulation	Class B
	Protection	IP68
	Protector	Auto Cut/Guard-System
	Bearing	Ball Type
	M.Seal	Double M. Seal
MATERIAL	Impeller	Vortex
	Upper Cover	Stainless Steel
	Motor Frame	Stainless Steel (1.4401)
	Main Shaft	Stainless Steel (1.4401)
	M.Seal	Upper: Carbon/Ceramic Lower: Silicon/Silicon
	Casing	Stainless Steel
	Impeller	Stainless Steel
Cable	H07RN-F	

SPECIFICATIONS

MODEL	POWER kW	DISCHARGE mm (Inch)	STANDARD		MAX		SOLID PASSAGE mm	WEIGHT (without Cable)		CABLE- LENGTH	SPEED RPM
			m-m ³ /min	m-m ³ /h	m-m ³ /min	m-m ³ /h		230 V- kg	400 V- kg		
F5W,D/SF-05AU	0,4	50 (2")	6-0.15	6-9	9.5-0.32	9.5-19.2	35	15	14	20 m	2900
F10W,D/SF-21AU	0,75	50 (2")	8-0.2	8-12	12.5-0.4	12.5-24	35	16	15	20 m	2900

DIMENSIONS

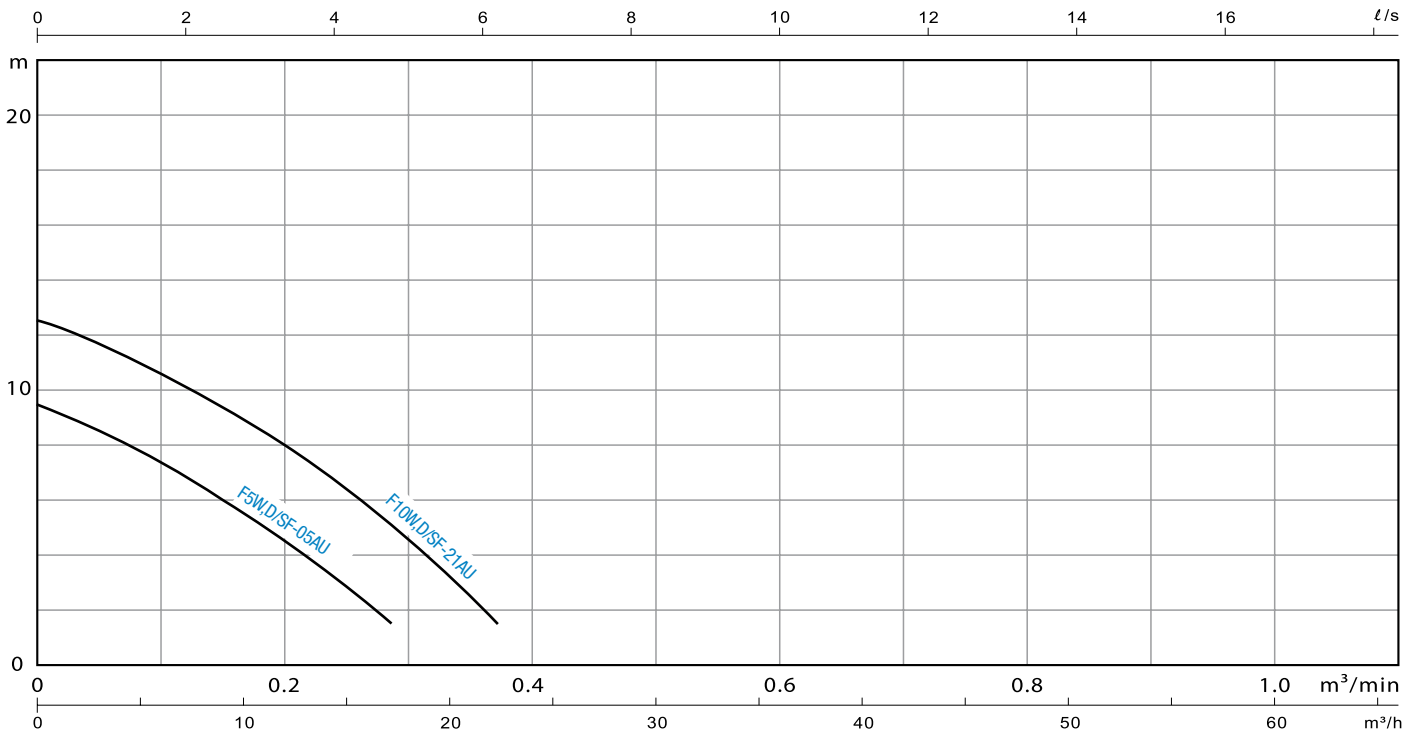


F5W,D/SF-05AU • F10W,D/SF-21AU

MODEL	DIMENSIONS - MM							
	DN	A	B	C	D	E	F	G
F5W,D/SF-05AU	50	237	199	154	99	109	372	427
F10W,D/SF-21AU	50	237	199	154	99	109	372	427

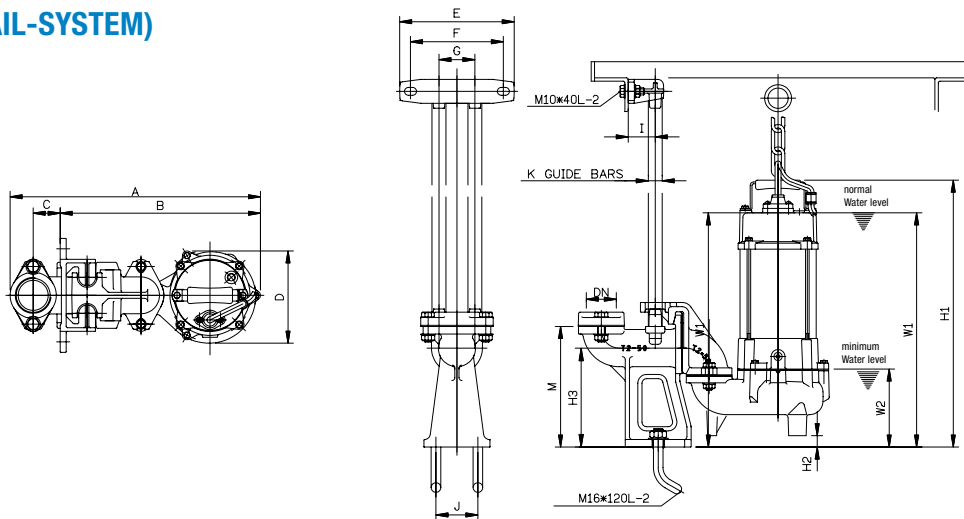


PERFORMANCE CURVES



MODEL	POWER kW	DISCHARGE mm (Inch)	Q:m³/min Q:m³/h	0.1	0.2	0.3	0.4	0.5	0.6	0.8	1
				6	12	18	24	30	36	48	60
F5W,D/SF-05AU	0,4	50 (2")	H:m	7.4	4.5	1.0	/	/	/	/	/
F10W,D/SF-21AU	0,75	50 (2")		10.6	8.0	4.5	/	/	/	/	/

GRS (GUIDE-RAIL-SYSTEM) DIMENSIONS



F5W,D/SF-05AU • F10W,D/SF-21AU : GRS ST2-50

MODEL	DIMENSIONS - MM																
	DN	A	B	C	D	E	F	G	I	J	K	M	W1	W2	H1	H2	H3
F5W,D/SF-05AU	50	418	334	45	154	190	155	60	50	70	19	201	391	128	445	19	165
F10W,D/SF-21AU	50	418	334	45	154	190	155	60	50	70	19	201	391	128	445	19	165



NEO / S

U20D/SF-32P • U30D/SF-33P • F35D/SF-35U



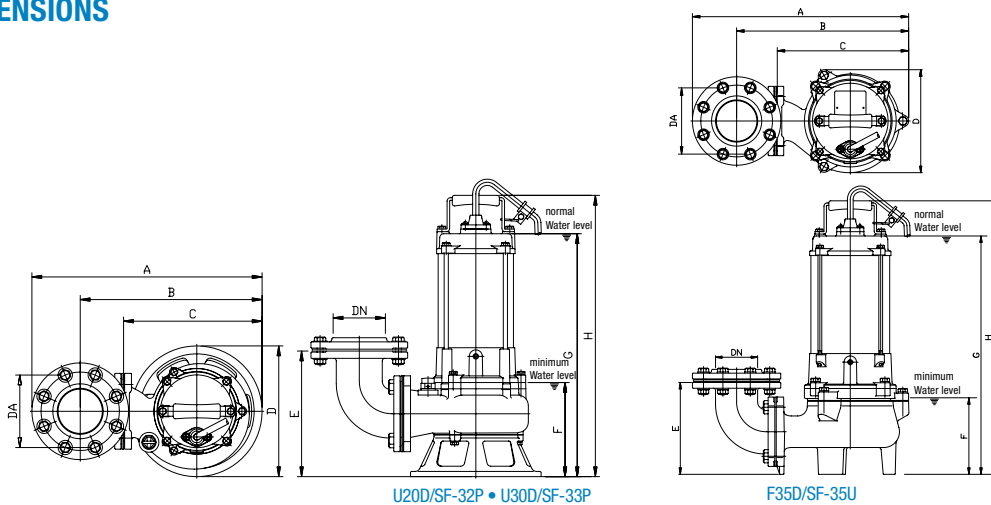
MATERIAL OVERVIEW

TECHNICAL DESCRIPTION		
LIMITS OF USE	Liquid Temp.	0 ~ 40 °C
	Applications	Sewage and wastewater up to 38mm solids from industry, commune and agriculture
	Submersion Depth	30 m
TYPE	Frequency	50 Hz
	Motor	2P • Dry Motor
	Insulation	Class B (3,7 kW: Class F)
	Protection	IP68
	Protector	Auto Cut/Guard-System
	Bearing	Ball Type
	M.Seal	Double M. Seal
MATERIAL	Impeller	Vortex impeller / semi-open impeller
	Upper Cover	Stainless Steel
	Motor Frame	Stainless Steel (1.4401)
	Main Shaft	Stainless Steel (1.4401)
	M.Seal	Upper: Carbon/Ceramic Lower: Silicon/Silicon
	Casing	Stainless Steel
	Impeller	Stainless Steel
	Cable	H07RN-F

SPECIFICATIONS

MODEL	POWER kW	DISCHARGE mm (Inch)	STANDARD		MAX		SOLID PASSAGE mm	WEIGHT (without Cable) 400 V - kg	CABLE LENGTH	SPEED RPM
			m-m ³ /min	m-m ³ /h	m-m ³ /min	m-m ³ /h				
U20D/SF-32P	1.5	80 (3")	8 - 0.45	8 - 27	16.5 - 0.8	16.5 - 48	35	36	20 m	2900
U30D/SF-33P	2.2	80 (3")	9 - 0.6	9 - 36	20 - 1	20 - 60	30	38	20 m	2900
F35D/SF-35U	3.7	80 (3")	15 - 0.5	15 - 30	21 - 1.1	21 - 66	38	45	20 m	2900

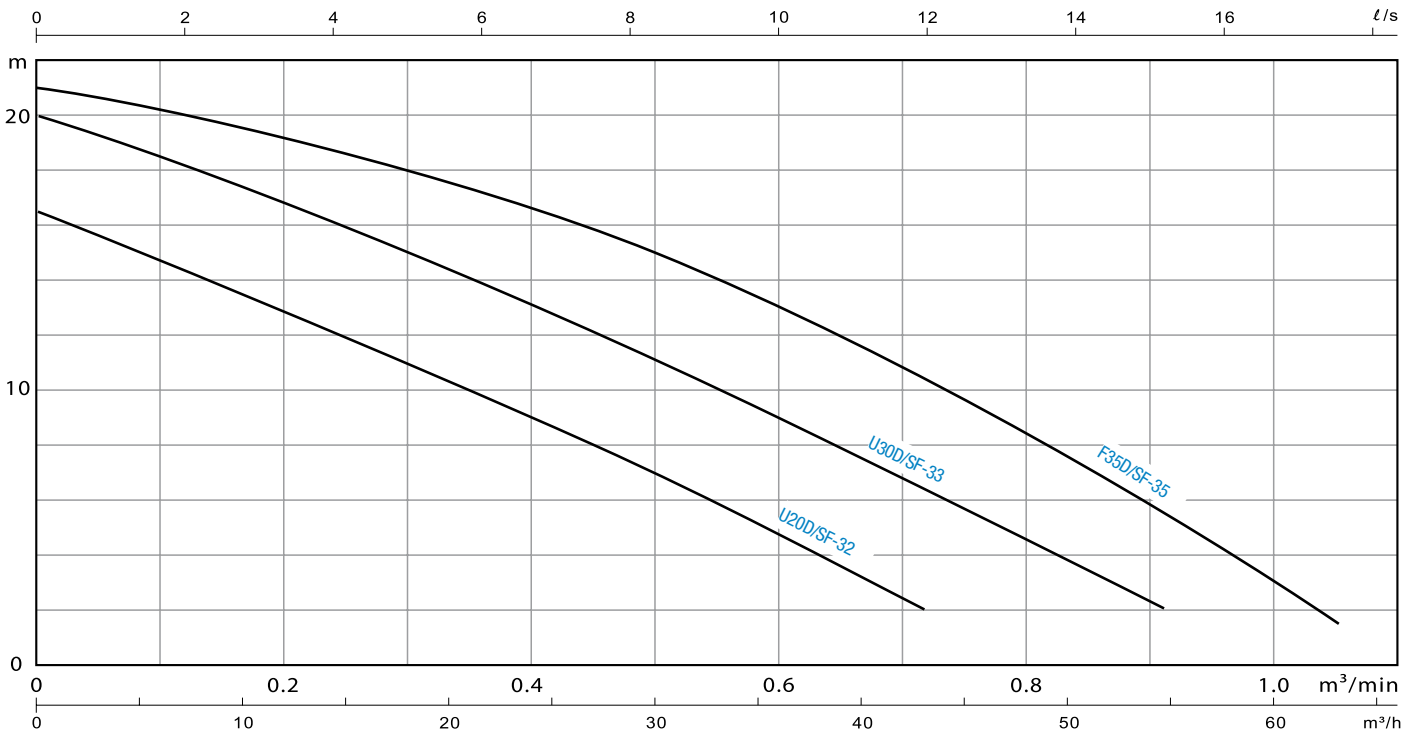
DIMENSIONS



MODEL	DIMENSIONS - MM								
	DN	A	B	C	D	E	F	G	H
U20D/SF-32P	80	441	348	325	250	241	180	465	538
U30D/SF-33P	80	441	348	325	250	241	180	490	563
F35D/SF-35U	80	453	360	337	216	192	160	499	572

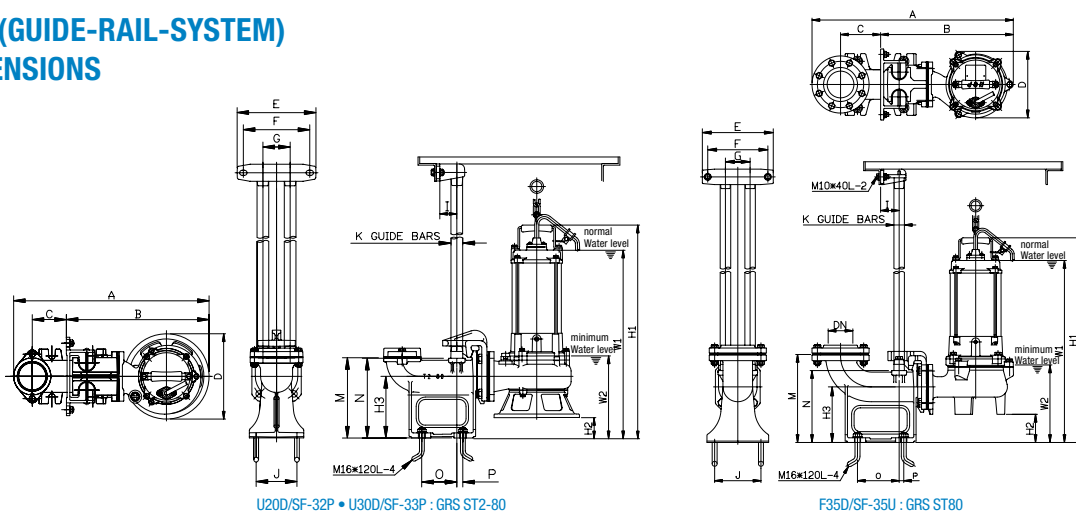


PERFORMANCE CURVES



MODEL	POWER kW	DISCHARGE mm (Inch)	Q:m³/min Q:m³/h	0.1	0.2	0.3	0.4	0.5	0.6	0.8	1
				6	12	18	24	30	36	48	60
U20D/SF-32P	1.5	80 (3")	H:m	14.6	12.6	10.7	8.7	6.7	4.6	/	/
U30D/SF-33P	2.2	80 (3")		18.5	16.8	15.0	13.1	11.0	9.0	4.5	/
F35D/SF-35U	3.7	80 (3")		20.2	19.2	18.0	16.6	15.0	13.0	8.5	3.1

GRS (GUIDE-RAIL-SYSTEM) DIMENSIONS



MODEL	DIMENSIONS - MM																			
	DN	A	B	C	D	E	F	G	I	J	K	M	N	O	P	W1	W2	H1	H2	H3
U20D/SF-32P	80	641	418	130	250	230	195	80	60	120	32	235	233	135	15	525	240	595	60	180
U30D/SF-33P	80	641	418	130	250	230	195	80	60	120	32	235	233	135	15	550	240	620	60	180
F35D/SF-35U	80	653	430	130	216	230	195	80	150	60	32	285	233	135	15	590	251	663	91	180



NEO / S

STAINLESS STEEL

SUBMERSIBLE PUMPS

CONSTRUCTION FEATURES

- Vortex-/ and semi-open impeller made of stainless steel
- Double Mechanical Seal
Upper: Carbon/Ceramic, Lower: Silicon/Silicon
- The integrated HEIDE-Guard-System prevents motor from burn out, detects voltage drop and over-current.

Before operation please connect with a protection plug or insert to a switchboard, which is prepared for motor-current.

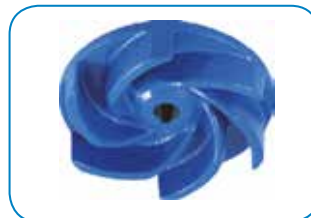
CONTENTS OF DELIVERY

- single-phase pumps with 20 m cable (H07RN-F) and safety plug
- 3-phase pumps with 20 m cable (H07RN-F), bare cable end

ACCESSORIES AND OPTIONS

- Control panels
- Pipes, fittings and hoses
- Protection plug

NOTES:



Protection Plug with phase inverter and rotational direction control

ALL PUMPS AVAILABLE IN RENTAL FLEET

Subject to technical modifications without giving prior notice.
Our general terms and conditions (AGB) apply



HEIDE-PUMPEN GMBH

Am Maibusch 102 – 106
45883 Gelsenkirchen

phone +49 (0) 209 941 39-0
fax +49 (0) 209 941 39-99

info@heide-pumpen.de
www.heide-pumpen.de

