

ORCA/POND SERIES RESIDENTIAL SUMP PUMPS

POWER: 100 ~ 150 W
MAX. HEAD: 10.5 m
MAX. CAPACITY : 7,2 m³/h (0.12m³/min)



PRODUCT NOMENCLATURE

Example : ORCA/POND - 100 F
Type Watt F = Float Switch
 FV = Vertical Float Switch

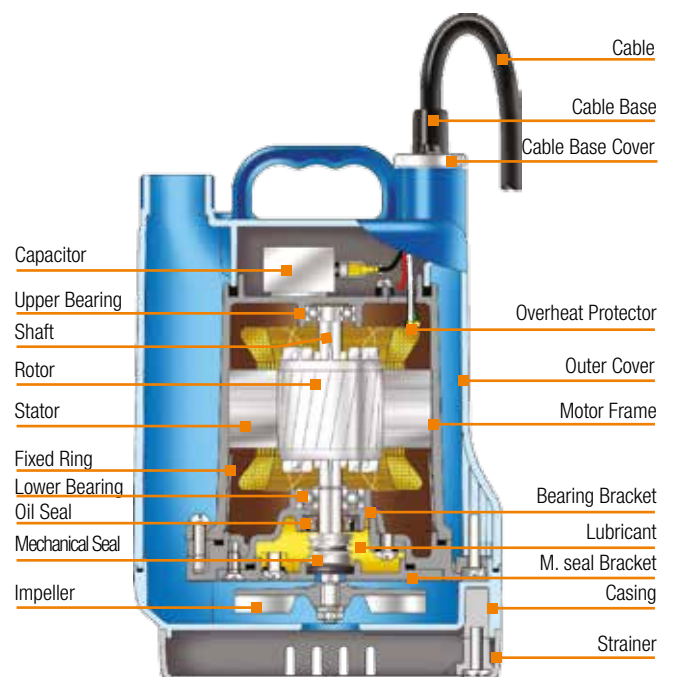
FEATURES

- Space saving and stunning streamline design
- Robust construction for a long durability
- Highly efficient 100 W and 150 W motors with low amperage provide energy savings
- Weather-proof AAS plastics, built-in overheat protector, IP68 quality approved (highest submersible standard) waterproof structure, equipped with mechanical seal, oil seal, and epoxy resin sealed cable base

APPLICATIONS

- Tank water circulating, Gardening, Dewatering, Water recycles, Water supply or drainage.
- Commercial Beautification Ponds and Residential Ponds

* Not suitable for seawater, strong acid or alkali liquid



ORCA / POND - 100

ORCA / POND - 150



Orca/Pond-100FV
Orca/Pond-150FV



Orca/Pond-100AFV
Orca/Pond-150AFV



Vortex impeller

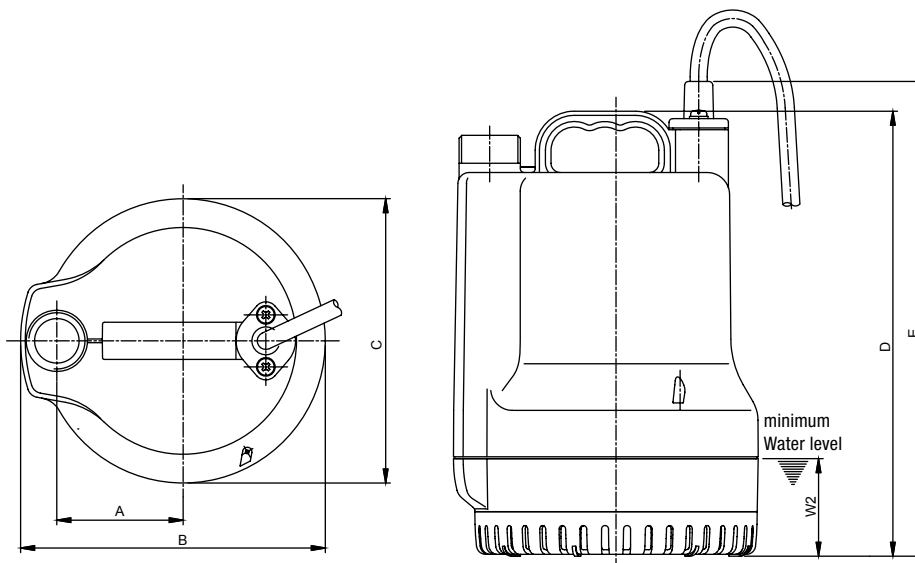
MATERIAL OVERVIEW

TECHNICAL DESCRIPTION		
LIMITS OF USE	Liquid Temp.	0 ~ 40 °C
	Applications	Clean/Dirty Water from Sumps, Basins und Tanks
	Submersion Depth	10 m
TYPE	Frequency	50 Hz
	Motor	2P • Dry Motor
	Insulation	Class B
	Protection	IP68
	Protector	Overheat Protector
	Bearing	Ball Type
	M.Seal	Single Mechanical Seal
MATERIAL	Impeller	Vortex Impeller
	Outer Cover	Plastic (AAS)
	Motor Frame	Stainless Steel (1.4021)
	M.Seal	Carbon/Ceramic
	Casing	Plastic
	Impeller	ABS Plastic with Metal insert
OPTIONAL	Cable	H07RN-F
		Float Switch / Vertical Float Switch

SPECIFICATIONS

MODEL	POWER kW	DISCHARGE mm (Inch)	STANDARD		MAX		SOLID PASSAGE mm	WEIGHT (without Cable) 230 V kg	CABLE LENGTH	SPEED RPM
			m-m ³ /min	m-m ³ /h	m-m ³ /min	m-m ³ /h				
Orca/Pond 100	0.1	25 (1")	4.5 - 0.05	4.5-3	7-0.1	7-6	4	4	3 m	2900
Orca/Pond 150	0.15	25 (1")	6.5-0.06	6.5-3.6	10 - 0.12	10 - 7.2	4	4.5	3 m	2900

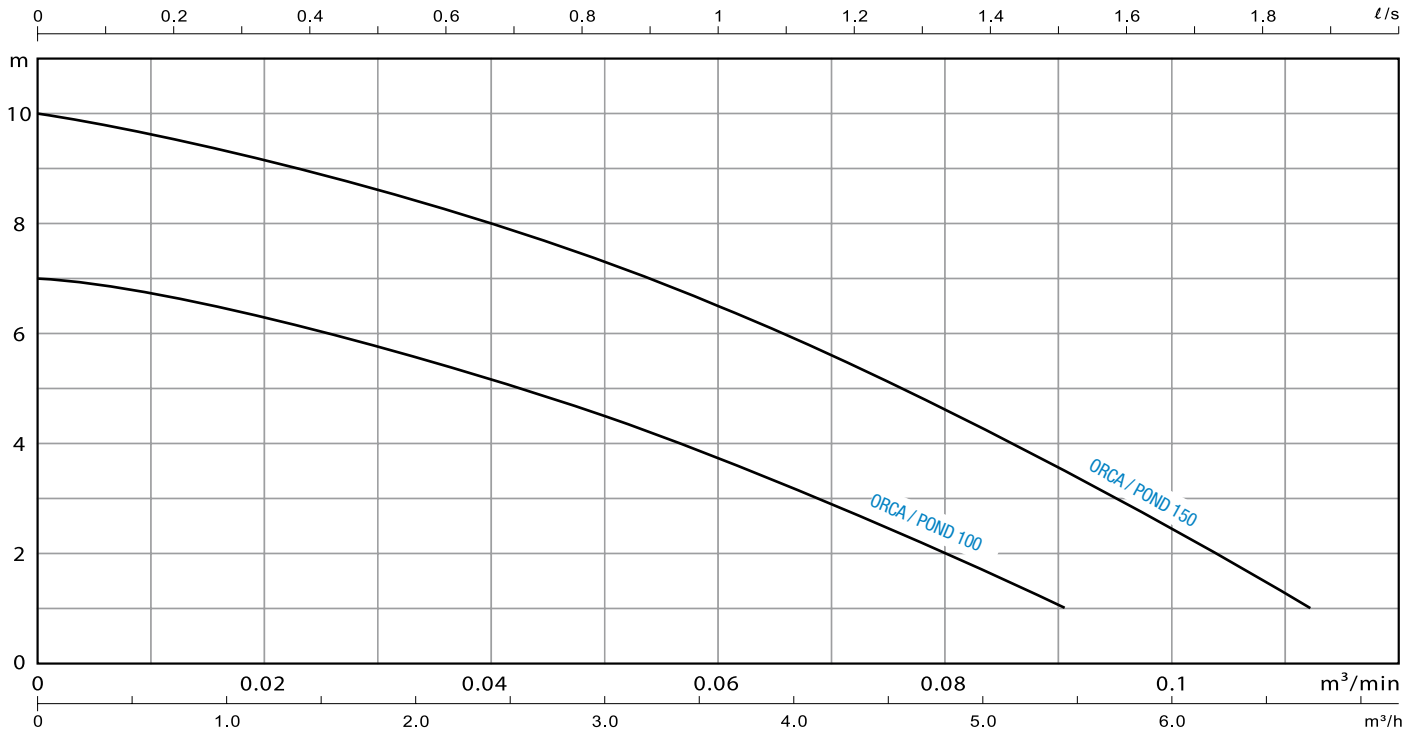
DIMENSIONS



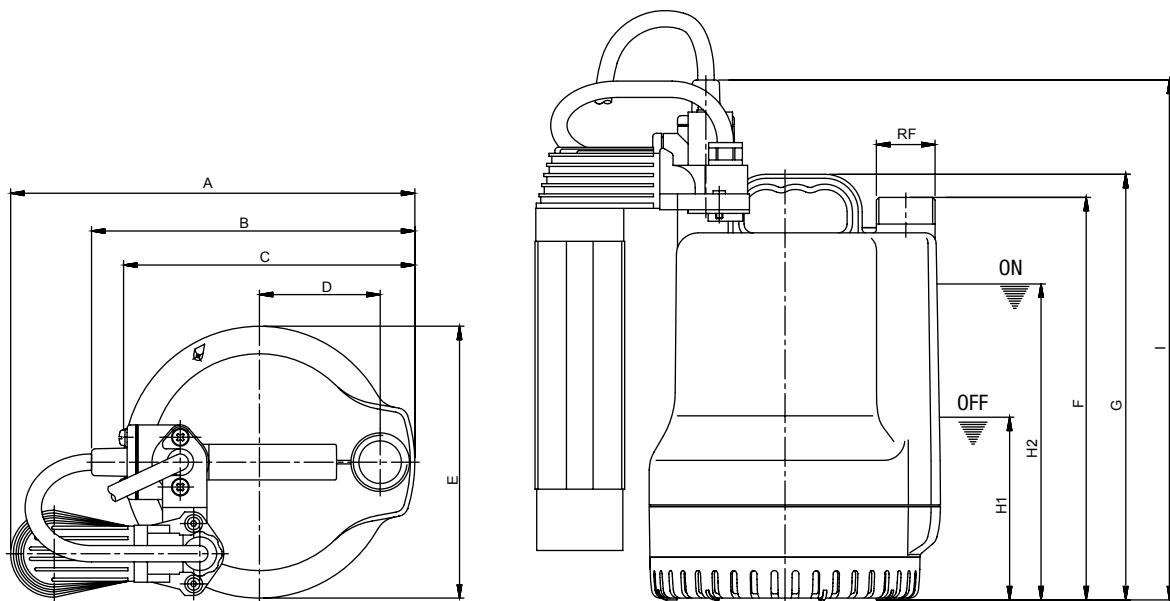
MODEL	DIMENSIONS - MM					
	A	B	C	D	E	F
Orca/Pond 100	68	164	153	240	256	50
Orca/Pond 150	68	164	153	240	256	50



PERFORMANCE CURVES



MODEL	POWER kW	DISCHARGE mm (Inch)	Q:m³/min Q:m³/h	0.01	0.02	0.03	0.04	0.06	0.07	0.09	0.11
				0.6	1.2	1.8	2.4	3.6	4.2	5.4	6.6
Orca/Pond 100	0,1	25 (1")	H:m	6.7	6.3	5.7	5.1	3.7	2.9	1.1	/
Orca/Pond 150	0,15	25 (1")		9.6	9.1	8.6	8.0	6.5	5.6	3.5	1.3



MODEL	DIMENSIONS - MM										
	A	B	C	D	E	F	G	I	H1	H2	RF
Orca/Pond 100	228	182	164	68	153	227	240	293	103	178	25
Orca/Pond 150	228	182	164	68	153	227	240	293	103	178	25



ORCA/POND SERIES RESIDENTIAL SUMP PUMPS

CONSTRUCTION FEATURES

- Vortex impeller
- Overheat Protection
- Mechanical Seal



NOTES



ALL PUMPS AVAILABLE IN RENTAL FLEET

*Subject to technical modifications without giving prior notice.
Our general terms and conditions (AGB) apply*



HEIDE-PUMPEN GmbH
Am Maibusch 102 – 106
45883 Gelsenkirchen

phone +49 (0) 209 941 39-0
fax +49 (0) 209 941 39-99

info@heide-pumpen.de
www.heide-pumpen.de

