

ULTRACUT / GF SUBMERSIBLE GRINDER PUMP

POWER: 1.5 ~ 3.7 kW
MAX. HEAD: 32 m
MAX. CAPACITY: 19.8 m³/h (0.33 m³/min)



PRODUCT NOMENCLATURE

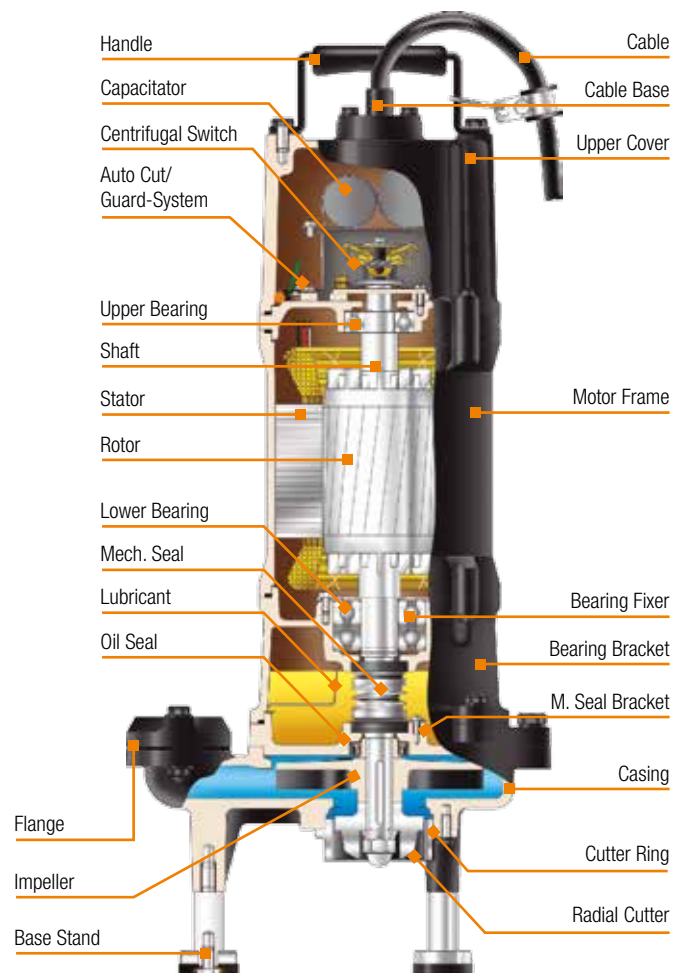
Example: 32 - 2 1.5 W / 32 GF 2 1.5
Discharge Pole kW Current
mm

FEATURES

- The heavy duty allrounder with cutter unit
- Standard accessories include: epoxy resin cable base, dry motor, double mechanical seal, Auto-Cut/Guard-System
- The vortex impeller protects against blockage
- Cutter Unit made of hardened chrome steel

APPLICATIONS

- Pressure sewage system
- Drainage of wastewater from individual residences, apartment buildings, industry and commune
- Dewatering of Biogas Plants



ULTRACUT / GF

32-21.5W,D/32GF21.5W,D • 32-22.2W,D/32GF22.2

50-22.2D/50GF22.2 • 50-23.7D/50GF23.7



32-21.5W,D/32GF21.5
32-22.2W,D/32GF22.2



50-22.2D/50GF22.2
50-23.7D/50GF23.7



Vortex impeller



Vortex impeller



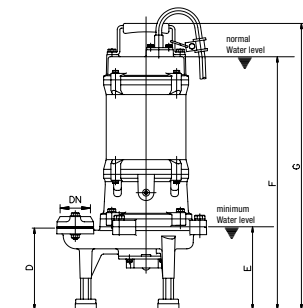
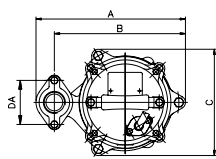
Radial Cutter &
Cutter Ring

MATERIAL OVERVIEW

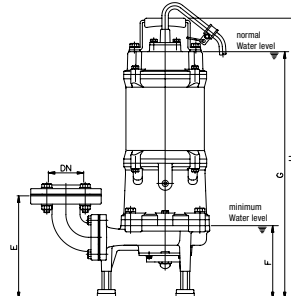
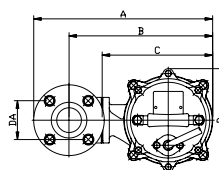
TECHNICAL DESCRIPTION		
LIMITS OF USE	Liquid Temp.	0 ~ 40 °C
	Applications	Residential wastewater and sewage from industry
	Submersion Depth	30 m
TYPE	Frequency	50 Hz
	Motor	2P • Dry Motor
	Insulation	Class B (3,7 kW: Class F)
	Protection	IP68
	Protector	Auto Cut/Guard-System
	Bearing	Ball Type
	M.Seal	Double M. Seal
MATERIAL	Impeller	Vortex
	Radial Cutter	Stainless Steel (1.4122)
	Cutter Ring	Stainless Steel (1.4122)
	Main Shaft	Stainless Steel (1.400)
	M.Seal	Upper: Carbon/Ceramic Lower: Silicon/Silicon
	Casing	Cast Iron (GGL 200)
	Impeller	chrome steel (60 Rockwell)
Cable	H07RN-F	

MODEL	POWER kW	DISCHARGE mm (Inch)	STANDARD		MAX		WEIGHT (Without Cable)		CABLE LENGTH	SPEED RPM
			m-m³/min	m-m³/h	m-m³/min	m-m³/h	230 V kg	400 V kg		
32-21.5W,D/32GF21.5	1,5	32 (1¼")	23 - 0.06	23-3.6	26-0.15	26-9	36	33	20 m	2900
32-22.2W,D/32GF22.2	2.2	32 (1¼")	10:28-0.06 30:29-0.06	10:28-3.6 30:29-3.6	32-0.165	32-9.9	38	35	20 m	2900
50-22.2D/50GF22.2	2.2	50 (2")	19-0.2	19-12	25-0.33	25-19.8	/	51	20 m	2900
50-23.7D/50GF23.7	3.7	50 (2")	26-0.2	26-12	31.5-0.33	31.5-19.8	/	53	20 m	2900

DIMENSIONS



32-21.5W,D/32GF21.5 • 32-22.2W,D/32GF22.2

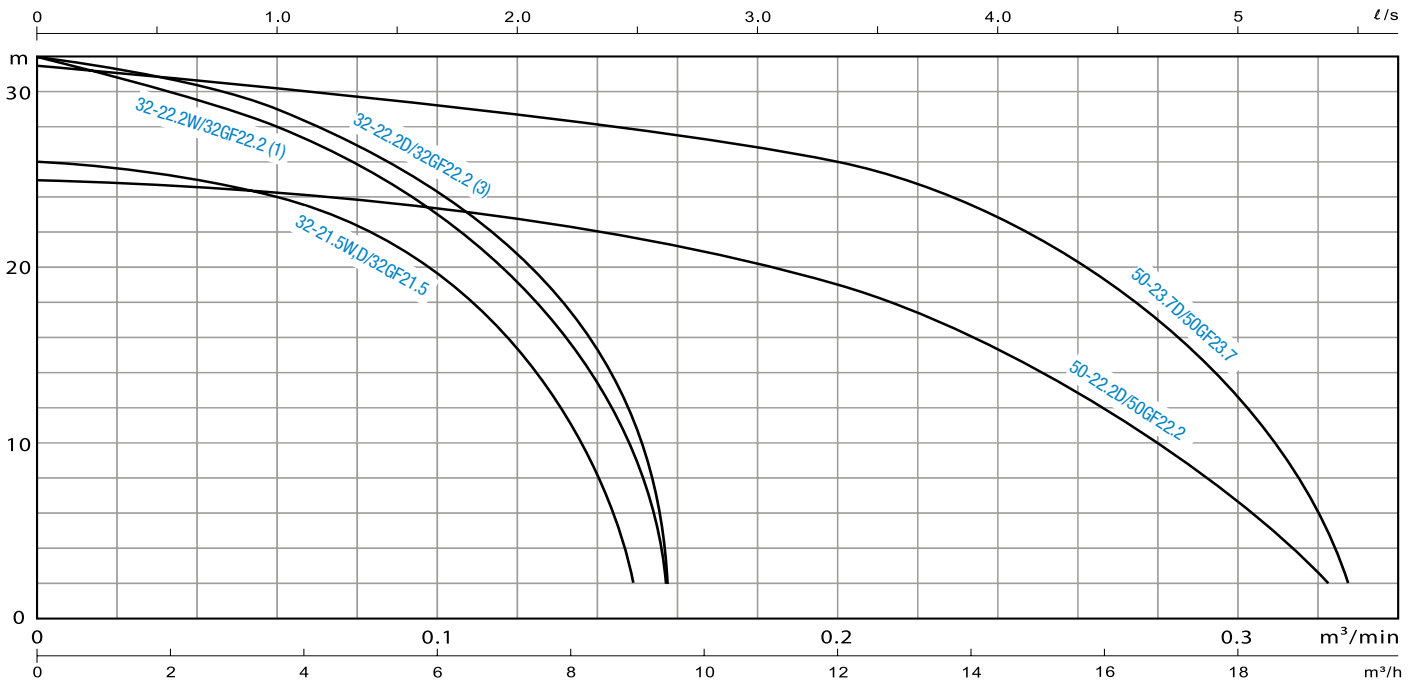


50-22.2D/50GF22.2 • 50-23.7D/50GF23.7

MODEL	DIMENSIONS - MM										
	DN	A	B	C	D	E	F		G		H
							230 V	400 V	230 V	400 V	
32-21.5W,D/32GF21.5	32	285	250	203	156	160	553	483	597	546	/
32-22.2W,D/32GF22.2	32	285	250	203	156	160	566	483	630	546	/
50-22.2D/50GF22.2	50	393	316	243	226	226	/	180	/	543	616
50-23.7D/50GF23.7	50	393	316	243	226	226	/	180	/	543	616

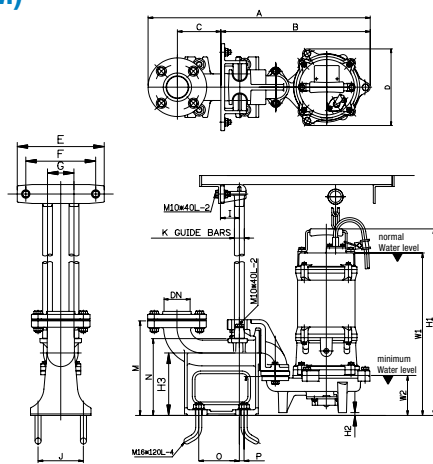
ZERTIFIZIERT NACH
ISO 9001
CERTIFIED

PERFORMANCE CURVES

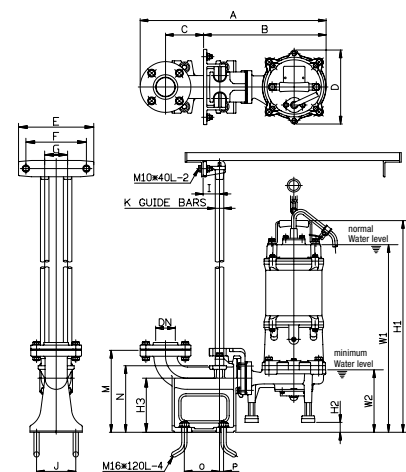


MODEL	POWER kW	DISCHARGE mm (Inch)	Q: m³/min Q: m³/h	0.03	0.06	0.12	0.15	0.18	0.24	0.27	0.3
				1.8	3.6	7.2	9.0	10.8	14.4	16.2	18
32-21.5W,D/32GF21.5	1.5	32 (1¼")	H:m	25.3	24.0	15.3	/	/	/	/	/
32-22.2W/32GF22.2 10	2.2	32 (1¼")		30.2	28.0	19.1	8.6	/	/	/	/
32-22.2D/32GF22.2 30	2.2	32 (1¼")		30.9	29.0	20.7	10.7	/	/	/	/
50-22.2D/50GF22.2	2.2	50 (2")		24.6	24.3	22.7	21.6	20.2	19.3	11.5	6.6
50-23.7D/50GF23.7	3.7	50 (2")		30.9	30.2	28.6	27.8	26.8	22.9	18.7	12.6

GRS (GUIDE RAIL SYSTEM) DIMENSIONS



32-21.5W,D/32GF21.5 • 32-22W,D/32GF22.2 : GRS T500



50-23.7D/50GF23.7 : GRS T500

MODEL	DIMENSIONS - MM																					
	DN	A	B	C	D	E	F	G	I	J	K	M	N	O	P	W1 230 V	W2 400 V	H1 230 V	H2 400 V	H3		
32.21.5W/32GF21.5	32	588	395	115	203	230	185	70	50	120	32	250	203	108	13	480	430	106	544	493	6	165
32.22.2D/32GF22.2	32	588	395	115	203	230	185	70	50	120	32	250	203	108	13	513	430	106	577	493	6	165
50-22.2D/50GF22.2	50	569	375	116	226	230	185	70	50	120	32	250	203	108	13	/	575	193	/	648	33	165
50-23.7D/50GF23.7	50	569	375	116	226	230	185	70	50	120	32	250	203	108	13	/	575	193	/	648	33	165



ULTRACUT / GF

SUBMERSIBLE GRINDER PUMP

CONSTRUCTION FEATURES

- Radial impeller made of high chrome steel
- Double Mechanical Seal
Upper: Carbon/Ceramic, Lower: Silicon/Silicon
- The integrated HEIDE-Guard-System prevents motor from burn out, detects voltage drop and over-current.
- Easy assembling and installation by adjustable and rubber-cushioned pump feet

Before operation please connect with a protection plug or insert to a switchboard, which is prepared for motor-current.

CONTENTS OF DELIVERY

- single-phase pumps with 20 m cable (H07RN-F) and safety plug
- 3-phase pumps with 20 m cable (H07RN-F), bare cable end

ACCESSORIES AND OPTIONS

- Automatic control panel
- Pipes, fittings and hoses
- Protection plug



CUTTER UNIT

The Cutter Unit in front of the impeller crushes long fibrous materials and allows trouble-free pumping over long distances through small diameters



ALL PUMPS AVAILABLE IN RENTAL FLEET

*Subject to technical modifications without giving prior notice.
Our general terms and conditions (AGB) apply*



HEIDE-PUMPEN GMBH

Am Maibusch 102 – 106
45883 Gelsenkirchen

phone +49 (0) 209 941 39-0
fax +49 (0) 209 941 39-99

info@heide-pumpen.de
www.heide-pumpen.de

