

AR 30

Operation weight:
2,150 kg

Power:
24.6 kW (33.5 HP)

Shovel capacity:
0.32 - 0.45 m³



 **Weycor**
BY ATLAS WEYHAUSEN

AR 30

COMPACT AND AGILE WITH IMPRESSIVE INNER VALUES.

weycor wheel loaders are more than the sum of their parts. They reflect true passion, a fascination with technology and 'Made in Germany' quality.

The AR 30 has compact dimensions and a small turning circle. It's perfect for horticulture, landscape gardening and agriculture applications, or on small construction sites.

The 'small' AR 30 has all the inner values that people appreciate in weycor wheel loaders: stability, long lifespan and impressive performance data.

Reflecting ATLAS Weyhausen's philosophy of always focusing on the optimum solution, the AR 30 has technical highlights that are generally exclusive to larger wheel loaders.



WEYCOR: POWERFUL, PRECISE, RELIABLE.



LATEST KINEMATICS TECHNOLOGY

The proven and tested weycor kinematics with its exceptional tear-out force and excellent lifting heights. The tapered loading rocker makes sure you can always keep an eye on the attachment.



EASY MAINTENANCE

Low-maintenance and quick, easy servicing is achieved by central, consolidated, easy-to-reach service points.



HYDRAULIC QUICK-CHANGE ATTACHMENT

By allowing you to change the wheel loader's attachments in a few seconds, it turns the vehicle into an all-rounder.



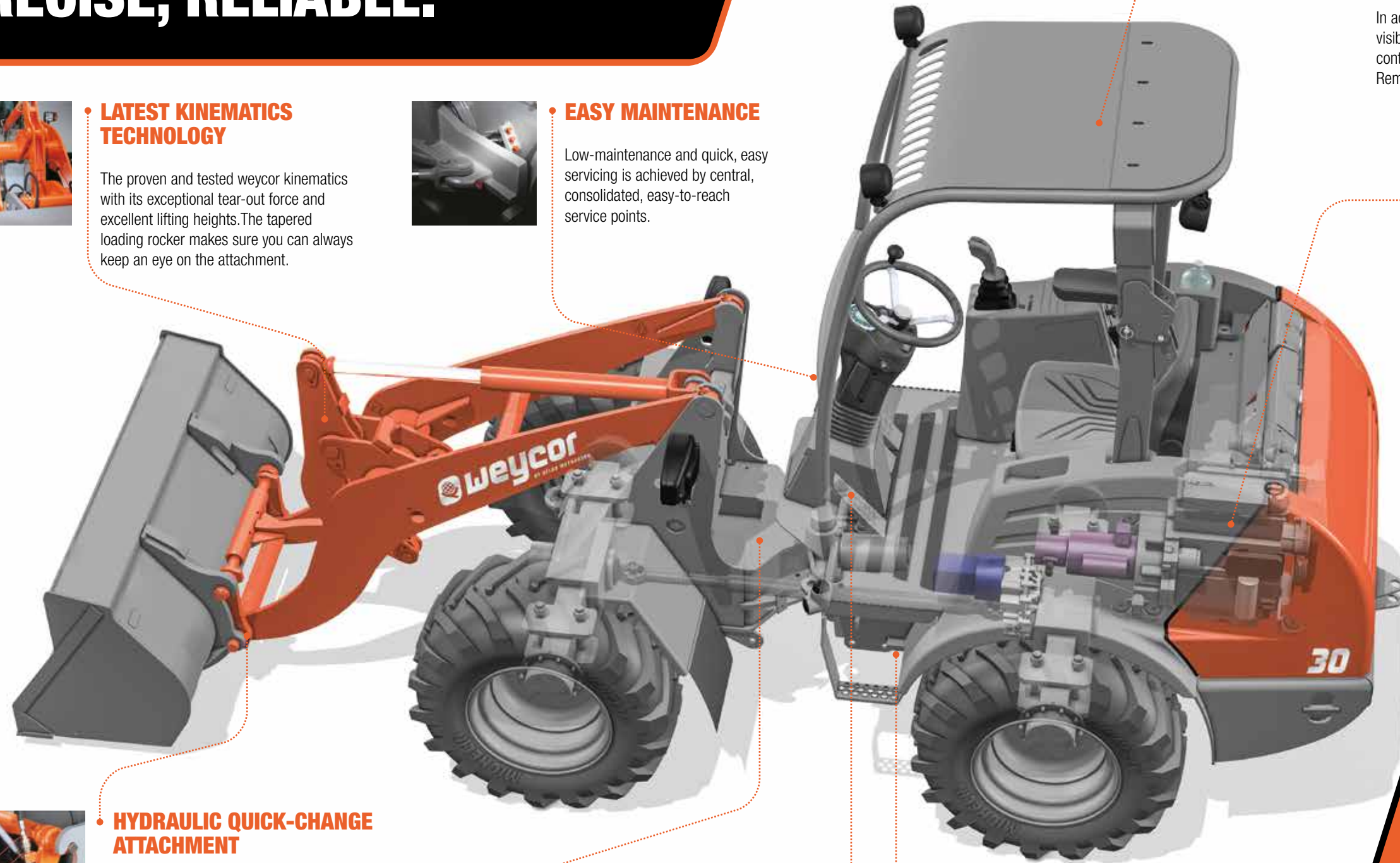
ARTICULATED PENDULUM JOINT

Provides for excellent maneuverability and crosscountry mobility. Even on challenging terrain, the low center of gravity ensures exceptional stability.



SEPARATE INCHING PEDAL

Less wear & tear and fuel consumption: In contrast to the conventional combined brake/inching pedal, with the separate inching pedal, the risk of inadvertently activating the main brake while you drive is eliminated.



AGRAR CABIN

In addition to the excellent circumferential visibility in the wheel loader, its clearly arranged controls and its ergonomic design. Removable FOPS roof and foldable ROPS bar.

POWERFUL DRIVE UNIT

weycor wheel loaders are equipped with state-of-the-art engines which combine high power reserves for challenging operations with up-to-date low emission values.



PERKINS ENGINE 403D-15 INDUSTRIAL

The 400 Series engine family continues to set standards in the compact engine range. Developed alongside customers to fulfil their needs in the construction, materials handling and agricultural/turf markets. Built to the most demanding standards, the 400D engines meet all the requirements of the off-highway emissions legislation for TIER 4. The noise levels have been kept to a minimum, product design and process improvements enhance both engine reliability and durability.

LOW CENTER OF GRAVITY

Thanks to their low center of gravity, weycor wheel loaders are secured against tipping, even under extreme circumstances.

AR30

TECHNICAL DATA

ENGINE

Make	Perkins Diesel engine 403D-15
Type	water cooled
Power***	set to 24.6 kW (33.5 HP) at 2,800 min ⁻¹
Max. torque	96 Nm at 1,800 min ⁻¹
Stroke	1,496 cm ³
Cylinders	3 in line

ELECTRICAL SYSTEM

Operating voltage	12 V
Battery	12 V / 66 Ah
Alternator	14 V / 65 A
Starter	12 V / 2.0 kW

DRIVE

- Output-regulated hydrostatic drive with pressure cut off and closed circuit acting on all 4 wheels
- Speed with standard tires: Operating speed range 0-6.5 km/h Road speed range 0-20 km/h
- 1st and 2nd hydraulic gear can be engaged under load, forward/backward travel also
- Forward/backward travel, speed ranges and off-position operational via weycor joystick
- Drive operated by accelerator and separate inching pedal for best distribution of the hydraulic power for thrust and lifting forces

BRAKES

Standard brake: Multi-disc brake in oil bath acting on all 4 wheels. Supplementary brake functions via inching pedal and hydrostatic drive acting on all 4 wheels.

Parking brake: Drum brake via funicular link acting on all 4 wheels with engine switch off.

AXLES

Rigid axles with planetary reduction gears in wheel hubs. Limited-slip differential lock in front axle.

STEERING

- Fully hydraulic center pivot steering
- Front and rear wheels follow the same track
- Steering angle of 40° to each side, ±12° angular movement at rear of vehicle
- Operating pressure of steering hydraulics 145 bar
- Emergency steering function

TIRES

Standard: 10.0/75-15.3 MPT – Multi-purpose tires for sand and gravel surface, woodland, roads and paths

Special tires: 11.5/80-15.3 MPT – Multi-purpose tires for sand and gravel surface, woodland, roads and paths

12-16.5 MT – Construction machine tires for soft surfaces, asphalt, roads, gardening and landscaping

31x15.5 15E – Multi-purpose tires for earth moving machines, particularly surface friendly

15.5/55 R18 – Multi-purpose tires for earth moving machines, particularly surface friendly, gardening and landscaping

More special tires upon request

HYDRAULIC SYSTEM

- Gear pump for loading and steering hydraulics
- Priority valve favoring steering hydraulics
- 3rd steering section for loading hydraulics mechanically controlled by weycor joystick, including float position
- Operating pressure 230 bar, Delivery of pump 31 l/min

LOADING EQUIPMENT

- Powerful and solid Z-kinematics with high tear out force
- Hydraulic quick change device
- Activation of all functions by weycor joystick
- Automatic mid position of joystick
- Parallel movement while using pallet forks
- Automatic shovel return to excavation position
- Locking device acc. to German StVZO for road travel

Lifting 5.0 s

Lowering 3.5 s

Tipping 1.0 s

FUEL/OIL CAPACITIES

Diesel.....	58 Liter
Hydraulic oil.....	28 Liter
Engine oil	3 Liter
Front axle	4 Liter
Rear axle.....	4.9 Liter
Gear oil	0.4 Liter
Cooling liquid.....	6 Liter

STANDARD EQUIPMENT

INCLUSIVE

- weycor canopy cabin with roll-bar protection and FOPS roof.
- Activation of all functions by weycor joystick
- Control lights for speed range, forward/backward travel
- Working lights front and rear
- Individually adjustable driver's seat
- Control lights for engine oil pressure, overheating, hydraulic oil temperature, battery power, parking brake, air filter
- Central dashboard with indicators for preheating, working hour meter

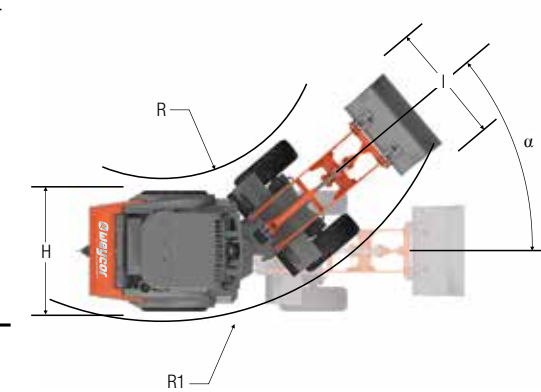
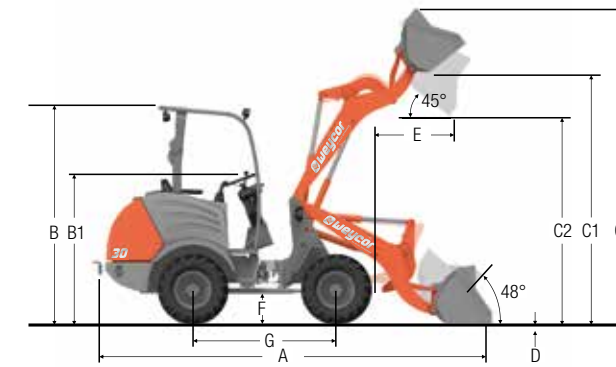
OPTIONS

TECHNICAL OPTIONS

- 4th section front or rear
- Main battery switch
- Special paintings and oils
- Cyclone dust separator
- Lights acc. to German StVZO for road travel
- Trailer coupling
- Rear driving mirrors, foldable
- Anti-theft-device with code stick
- Warning beacon
- Pressure keeping valves

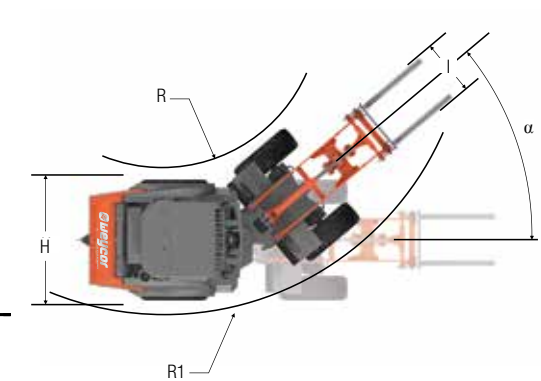
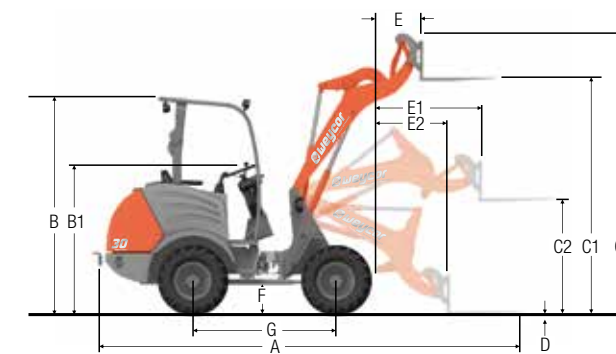
More options upon request

TECHNICAL DATA AR 30 WITH STANDARD SHOVEL



A	4,240 mm
B	2,366 mm
B1	1,630 mm
B2	2,340 mm*
C	3,340 mm
C1	2,800 mm
C2	2,300 mm
D	55 mm
E	595 mm
F	350 mm
G	1,580 mm
H	1,250 mm
I	1,250 mm
R	1,558 mm
R1	2,804 mm
α	40°

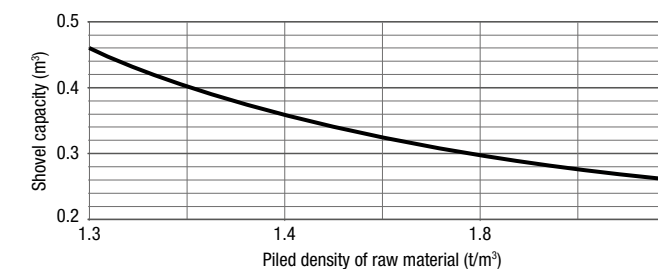
TECHNICAL DATA AR 30 WITH PALLET FORKS



A	4,730 mm
B	2,366 mm
B1	1,630 mm
B2	2,340 mm*
C	3,010 mm
C1	2,550 mm
C2	1,130 mm
D	145 mm
E	300 mm
E1	1,010 mm
E2	680 mm
F	350 mm
G	1,580 mm
H	1,250 mm
I	1,030 mm
R	1,558 mm
R1	2,804 mm
α	40°

* Cab Version

DIAGRAM FOR SHOVEL SELECTION



SPECIFIC GRAVITY FOR MATERIAL HANDLING WEIGHT (t/m³)

Construction	Industry	
concrete.....1.9	ember.....0.7	phosphate fertiliser.....2.2
soil (dry).....1.5	brown coal briquette.....0.8	turf (watery).....1.1
soil (watery).....2.0	ferrous product.....7.8	turf (dry).....0.4
rock (fill).....2.4	iron ore.....2.3	mineral fertiliser.....1.0
granite.....1.8	cullet.....1.9	
limestone.....1.6	gas coke.....0.4	
gravel (dry).....1.9	timber.....0.8	
gravel (watery).....2.1	mineral coal.....1.2	
loam.....1.7	paper.....0.9	
plaster.....2.2	slag.....1.0	
sand (dry).....1.9	slag concrete.....2.7	
sand (watery).....2.1		
sandstone.....2.4		
shale.....2.2	Landscaping, Agriculture	
sediment.....2.1	agricultural crop.....0.7	
crushed stone.....1.5	grain.....0.6	
de-icing salt.....1.3	hay.....0.3	
clay.....1.6	potash.....1.1	
cement.....1.7	compost.....1.0	
clinker (stacked).....1.8	flour.....0.5	
	clay (watery).....2.3	

OPERATING DATA

Shovel capacity acc. to SAE	0.32 m ³
Track width	1,061 mm
Turning radius (outer shovel edge)	3,161 mm
Tear out force	2,430 daN
Torque	1,900 daN
Tipping load, straight	1,318 kg
Tipping load, articulated	1,165 kg
Lifting capacity at ground level	1,700 daN
Service weight	2,150 kg

Differing data for use of pallet forks (500 mm distance to center of gravity)*

Static tipping load, articulated	871 kg
Lifting capacity	1,200 daN
Payload 80% even surface**	697 kg
Payload 60% uneven surface***	523 kg

Sound level

Average acoustic power-level L _{WA} ⁽¹⁾	100.1 dB(A)
Guaranteed acoustic power-level L _{WA} ⁽²⁾	101.0 dB(A)
Sound pressure level L _{pA} ⁽³⁾	83.0 dB(A)
Specific vibration-data Hand- / arm- / bodyvibration ⁽⁴⁾	< 2.5/0.5 m/s ²

* Travel with load only permitted close to the ground.
 ** According to ISO 8313 and EN 474-3. *** According to ISO 14396, EU RL97/68/EC. (1) According to 2000/14/EG & appendixes. (2) According to 2000/14/EG & appendixes. (3) According to ISO 6396. (4) According to ISO 8041.

PRODUCT RANGE

Model range S



AR 30

2,150 kg
24.6 kW (33.5 HP)
0.32 - 0.45 m³



AR 35

2,500 kg
24.6 kW (33.5 HP)
0.34 - 0.45 m³



AR 35 Super

2,875 kg
29.4 kW (40.0 HP)
0.34 - 0.50 m³



AR 40

3,500 kg
29.4 kW (40.0 HP)
0.50 - 0.60 m³

L

AR 60

4,300 kg / 4,650 kg
36.5 kW (50.0 HP)
0.65 - 1.00 m³

AR 65^e

5,150 kg
54.0 kW (73.0 HP)
0.80 - 1.05 m³

AR 75^e

5,760 kg
54.0 kW (73.0 HP)
1.00 - 1.25 m³

AR 75^e S

6,280 kg
54.0 kW (73.0 HP)
0.80 m³

AR 75^e T

6,000 kg
54.0 kW (73.0 HP)
1.00 m³

XL

AR 80^e

6,220 kg
70.0 kW (95.0 HP)
1.10 - 1.30 m³

AR 85^e

7,000 kg
80.0 kW (109.0 HP)
1.30 - 1.50 m³

AR 95^e

7,900 kg
85.0 kW (115.5 HP)
1.40 - 2.00 m³

AR 95^e Super

8,200 kg
95.0 kW (129.0 HP)
1.40 - 2.00 m³

XXL

AR 105^e

9,450 kg
105.0 kW (143.0 HP)
1.60 - 2.00 m³

AR 200^B

12,400 kg
115.0 kW (156.0 HP)
2.10 - 2.50 m³

AR 250^B

13,800 kg
160.0 kW (218.0 HP)
2.40 - 3.00 m³

Operation weight

Power

Shovel capacity

Operation weight

Power

Shovel capacity

Operation weight

Power

Shovel capacity

Operation weight

Power

Shovel capacity

Operation weight

Power

Shovel capacity

Compliance with the new statutory limits for exhaust emissions is one thing. Deriving tangible benefits for our customers is another. We are proud to have incorporated both in the development of the new generation of wheel loaders.

Higher power - lower consumption plus a series of other innovative features that make a genuinely positive difference in a construction site environment. All the features inside are now represented on the outside by a small 'e' and the new product name 'weycor'.

weycor is an ATLAS WEYHAUSEN GMBH brand.

ATLAS WEYHAUSEN GMBH · D - 27793 Wildeshausen
Phone +49 (0) 44 31 - 98 10 · info@weycor.de · www.weycor.de

 **weycor**
BY ATLAS WEYHAUSEN

Under our policy of continuous improvement, we reserve the right to change specifications and design without prior notice, errors expected. The technical data refer only to the standard version, illustrations do not necessarily show the standard version of the machine. Not all products are available in all markets.