

# AR 60

**Operation weight:**  
4,300 kg

**Power:**  
36.5 kW (50 HP)

**Shovel capacity:**  
0.65 - 1.0 m<sup>3</sup>



 **Weycor**  
BY ATLAS WEYHAUSEN

# AR 60

## PROVEN TECHNOLOGY IN OPTIMUM QUALITY.

weycor wheel loaders are more than the sum of their parts. They reflect true passion, a fascination with technology and 'Made in Germany' quality.

The AR 60 is perfect for the construction industry, horticulture, landscape gardening and agriculture. The engine maintains the required NOx and PM limits in accordance with the most stringent emission regulations with an output of 36.5 kW (50 HP).

The weycor AR 60 has all the inner values that people appreciate in weycor wheel loaders: stability, long lifespan and impressive performance data.

Reflecting the ATLAS Weyhausen philosophy of always focusing on the optimum solution, the AR 60 has a series of technical highlights as standard features. Numerous options also permit flexible adaptation to your individual requirements.



# WEYCOR: POWERFUL, PRECISE, RELIABLE.



## • LATEST KINEMATICS TECHNOLOGY

The proven and tested weycor kinematics with its exceptional tear-out force and excellent lifting heights. The tapered loading rocker makes sure you can always keep an eye on the attachment.



## • EASY MAINTENANCE

Low-maintenance and quick, easy servicing is achieved by central, consolidated, easy-to-reach service points.



## • HYDRAULIC QUICK-CHANGE ATTACHMENT

By allowing you to change the wheel loader's attachments in a few seconds, it turns the vehicle into an all-rounder.



## • ARTICULATED PENDULUM JOINT

Provides for excellent maneuverability and cross-country mobility. Even on challenging terrain, the low center of gravity ensures exceptional stability.



## • SEPARATE INCHING PEDAL

Less wear & tear and fuel consumption: In contrast to the conventional combined brake/inching pedal, with the separate inching pedal, the risk of inadvertently activating the main brake while you drive is eliminated.



## • NEGATIVE BRAKE

Serves to maintain a stable position while the wheel loader is driven on slopes with the brake or inching function activated. All four wheels are automatically blocked as soon as the engine is stopped.

## • COMFORTABLE CABIN

In addition to the excellent circumferential visibility in the wheel loader, its clearly arranged controls and its ergonomic design.

## • POWERFUL DRIVE UNIT

weycor wheel loaders are equipped with state-of-the-art engines which combine high power reserves for challenging operations with up-to-date low emission values.



## YANMAR ENGINE TECHNOLOGY

### 4TNV88-BD

Building off the proven TNE design, Yanmar has achieved superior exhaust emissions by improving the combustion chamber and fuel injection equipment design. Engines are compliant with 2008 EPA TIER 4 exhaust emissions regulations.

The TNV engines offer even more enhanced durability due to better block cooling. CAE analysis has brought lower vibrations and higher strength to the mounting structure for even better reliability in heavy-duty jobs. A newly designed, in-line MP type fuel injector pump is utilized to assure more precise fuel delivery and control. The result is reduced emissions, improved performance over a wide range of applications.

# AR 60

## TECHNICAL DATA

### ENGINE

<b>Make</b> .....	Yanmar Diesel engine 4TNV88-BD
<b>Type</b> .....	water cooled
<b>Power***</b> .....	set to 36.5 kW (50 HP) at 3,000 min <sup>-1</sup>
<b>Max. torque</b> .....	140 Nm at 1,800 min <sup>-1</sup>
<b>Stroke</b> .....	2,190 cm <sup>3</sup>
<b>Cylinders</b> .....	4 in line

### ELECTRICAL SYSTEM

<b>Operating voltage</b> .....	12 V
<b>Battery</b> .....	12 V / 88 Ah
<b>Alternator</b> .....	14 V / 55 A
<b>Starter</b> .....	12 V / 2.3 kW

### DRIVE

- Output-regulated hydrostatic drive with pressure cut off and closed circuit acting on all 4 wheels
- Speed with standard tires:  
Operating speed range 0-6.5 km/h  
Road speed range 0-20 km/h  
Optional high speed 40 km/h (upon request)
- 1st and 2nd hydraulic gear can be engaged under load, forward/backward travel also
- Forward/backward travel, speed ranges and off-position operational via weycor joystick
- Drive operated by accelerator and separate inching pedal for best distribution of the hydraulic power for thrust and lifting forces

### BRAKES

**Standard brake:** Multi-disc brake in oil bath acting on rear axle. Supplementary brake functions via inching pedal and hydrostatic drive acting on all 4 wheels.

**Parking brake:** Parking brake as spring-loaded brake acting on rear axle. In case of standstill of engine the spring-loaded brake is automatically reactivated.

### AXLES

Rigid axles with planetary reduction gears in wheel hubs, connecting electrically 100%-differential lock in front and rear axle.

### STEERING

- Fully hydraulic center pivot steering
- Front and rear wheels follow the same track
- Steering angle of 40° to each side, ±12° angular movement at rear of vehicle
- Operating pressure of steering hydraulics 175 bar
- Emergency steering function

### TIRES

**Standard:** 12.5-18 MPT– Multi-purpose tires for sand and gravel surfaces, woodland, roads and paths

**Special tires:** 12.5-20 MPT – Multi-purpose tires for sand and gravel surfaces, woodland, roads and paths  
405/70 R18 SPT9 – Construction machine tires for clay, sand, gravel, asphaltting, roads, gardening and landscaping  
400/70 R20 XMCL – Wheel loader tires for clay, sand, gravel, fields and greenland, fortified roads  
335/80 R20 EM – Construction machine tires for clay, sand, gravel, asphaltting, roads, gardening and landscaping  
15.5/55 R18 – Construction machine tires for clay, sand, gravel, broken stone and fortified roads

Special tires upon request

### HYDRAULIC SYSTEM

- Gear pump for loading and steering hydraulics
- Priority valve favoring steering hydraulics
- 3rd section
- Loading hydraulic hydraulically preactivated by weycor joystick, including float position
- Operating pressure 230 bar, Delivery of pump 60 l/min

### LOADING EQUIPMENT

- Powerful and solid Z-kinematics with high tear out force
  - Hydraulic quick change device
  - Activation of all functions by weycor joystick
  - Parallel movement while using pallet forks
  - Automatic mid position of joystick
  - Automatic shovel return to excavation position
  - Locking device acc. to German StVZO for road travel
- Lifting 5.0 s**  
**Lowering 3.6 s**  
**Tipping 1.5 s**

### FUEL/OIL CAPACITIES

Diesel	61.5 Liter
Hydraulic oil	57 Liter
Engine oil	7.4 Liter
Front axle	5 Liter
Rear axle	5.8 Liter
Gear oil	2.5 Liter
Cooling liquid	8.5 Liter

## STANDARD EQUIPMENT

### INCLUSIVE

- Rear driving mirrors, foldable
- Heatable rear screen
- Access left side, right window to open can be fastened
- Activation of all functions by weycor joystick
- Control lights for speed range, forward/backward travel
- Lights acc. to German StVZO for road travel
- Individually adjustable driver's seat
- Hot water heating with heat exchange and 3-stage-fan
- Front windscreen ventilation, variable output
- Sound absorbing ROPS cab
- Windscreen wipe and wash unit in front and rear
- Sun visor, ceiling lamp, stow facility
- Heat protection glazing with targetinted screens
- Control lights for engine oil pressure, overheating, hydraulic oil temperature, battery power, parking brake, air filter
- Central dashboard with indicators for preheating, fuel, working hour meter

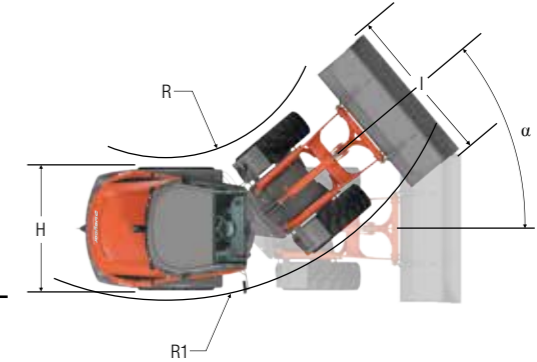
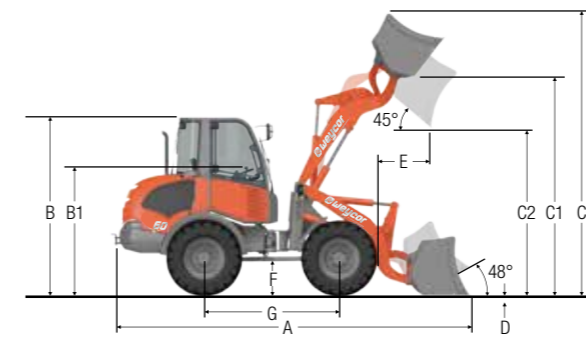
## OPTIONS

### TECHNICAL OPTIONS

- Main battery switch
- Special paintings and oils
- Cyclone dust separator
- Additional counterweight (+350 kg valid for service weight 4,300 kg)
- FOPS roof Level II
- Stability damping system
- Load check valve for lifting and working cylinders
- Trailer coupling
- Anti-theft-device with code stick
- Radio
- Warning beacon

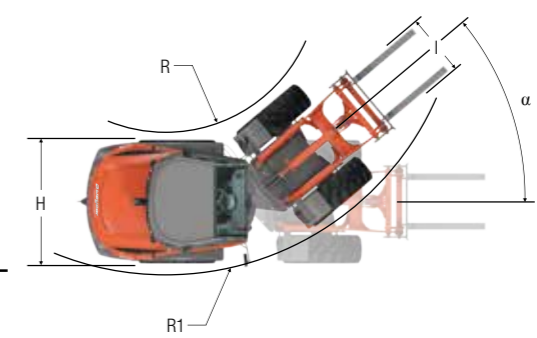
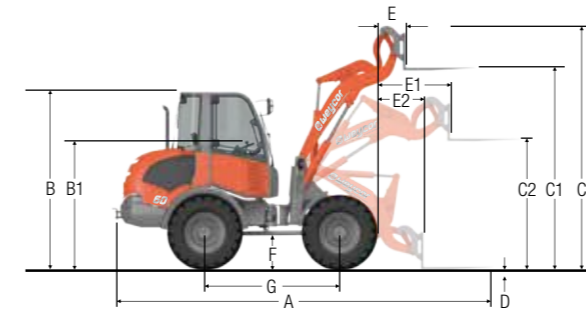
More options upon request

### TECHNICAL DATA AR 60 WITH STANDARD SHOVEL



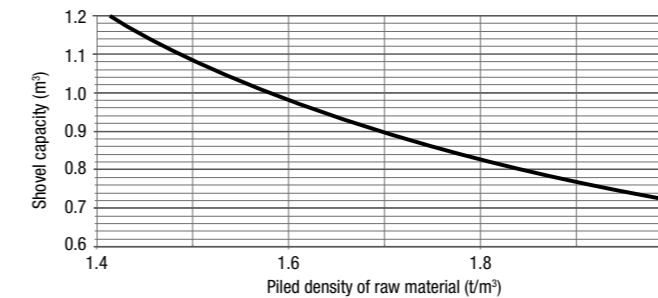
A	5,250 mm
B	2,475 mm
B1	1,765 mm
C	3,930 mm
C1	3,130 mm
C2	2,475 mm
D	85 mm
E	670 mm
F	440 mm
G	2,000 mm
H	1,785 mm
I	1,850 mm
R	1,840 mm
R1	3,690 mm
α	40°

### TECHNICAL DATA AR 60 WITH PALLET FORKS



A	5,540 mm
B	2,475 mm
B1	1,765 mm
C	3,380 mm
C1	2,925 mm
C2	1,315 mm
D	70 mm
E	430 mm
E1	1,200 mm
E2	750 mm
F	440 mm
G	2,000 mm
H	1,785 mm
I	1,030 mm
R	1,840 mm
R1	3,690 mm
α	40°

### DIAGRAM FOR SHOVEL SELECTION



### SPECIFIC GRAVITY FOR MATERIAL HANDLING WEIGHT (t/m³)

Construction	Industry	
concrete.....1.9	ember.....0.7	phosphate fertiliser.....2.2
soil (dry).....1.5	brown coal briquette.....0.8	turf (watery).....1.1
soil (watery).....2.0	ferrous product.....7.8	turf (dry).....0.4
rock (fill).....2.4	iron ore.....2.3	mineral fertiliser.....1.0
granite.....1.8	cullet.....1.9	
limestone.....1.6	gas coke.....0.4	
gravel (dry).....1.9	timber.....0.8	
gravel (watery).....2.1	mineral coal.....1.2	
loam.....1.7	paper.....0.9	
plaster.....2.2	slag.....1.0	
sand (dry).....1.9	slag concrete.....2.7	
sand (watery).....2.1		
sandstone.....2.4	<b>Landscaping, Agriculture</b>	
shale.....2.2	agricultural crop.....0.7	
sediment.....2.1	grain.....0.6	
crushed stone.....1.5	hay.....0.3	
de-icing salt.....1.3	potash.....1.1	
clay.....1.6	compost.....1.0	
cement.....1.7	flour.....0.5	
clinker (stacked).....1.8	clay (watery).....2.3	

## OPERATING DATA

<b>Shovel capacity acc. to SAE</b>	0.85 m <sup>3</sup>
<b>Track width</b>	1,460 mm
<b>Turning radius (outer shovel edge)</b>	3,977 mm
<b>Tear out force</b>	5,160 daN
<b>Torque</b>	4,100 daN
<b>Tipping load, straight</b>	3,059 kg (3,635 kg)
<b>Tipping load, articulated</b>	2,701 kg (3,200 kg)
<b>Lifting capacity at ground level</b>	4,650 daN
<b>Service weight</b>	4,300 kg (4,650 kg)

### Differing data for use of pallet forks (500 mm distance to center of gravity)\*

<b>Static tipping load, straight and articulated</b>	2,137 kg (2,574 kg)
<b>Lifting capacity</b>	2,845 daN
<b>Payload 80% even surface**</b>	1,709 kg (2,059 kg)
<b>Payload 60% uneven surface***</b>	1,282 kg (1,544 kg)

### Sound level

<b>Average acoustic power-level L<sub>WA</sub><sup>(1)</sup></b>	100.2 dB(A)
<b>Guaranteed acoustic power-level L<sub>WA</sub><sup>(2)</sup></b>	101.0 dB(A)
<b>Sound pressure level L<sub>PA</sub><sup>(3)</sup></b>	80.0 dB(A)
<b>Specific vibration-data Hand- / arm- / bodyvibration<sup>(4)</sup></b>	< 2.5/0.5 m/s <sup>2</sup>

\* Travel with load only permitted close to the ground.  
\*\* According to ISO 8313 and EN 474-3. \*\*\* According to ISO 14396, EU RL97/68/EC. (1) According to 2000/14/EG & appendices. (2) According to 2000/14/EG & appendices. (3) According to ISO 6396. (4) According to ISO 8041.

# PRODUCT RANGE

## S

### AR 30

Operation weight	2,150 kg
Power	24.6 kW (33.5 HP)
Shovel capacity	0.32 - 0.45 m <sup>3</sup>

### AR 35

Operation weight	2,500 kg
Power	24.6 kW (33.5 HP)
Shovel capacity	0.34 - 0.45 m <sup>3</sup>

### AR 35 Super

Operation weight	2,875 kg
Power	29.4 kW (40.0 HP)
Shovel capacity	0.34 - 0.50 m <sup>3</sup>

### AR 40

Operation weight	3,500 kg
Power	29.4 kW (40.0 HP)
Shovel capacity	0.50 - 0.60 m <sup>3</sup>

Operation weight

Power

Shovel capacity

## Model range L



### AR 60

4,300 kg / 4,650 kg
36.5 kW (50.0 HP)
0.65 - 1.00 m <sup>3</sup>



### AR 65<sup>e</sup>

5,150 kg
54.0 kW (73.0 HP)
0.80 - 1.05 m <sup>3</sup>



### AR 75<sup>e</sup>

5,760 kg
54.0 kW (73.0 HP)
1.00 - 1.25 m <sup>3</sup>



### AR 75<sup>e</sup> S

6,280 kg
54.0 kW (73.0 HP)
0.80 m <sup>3</sup>



### AR 75<sup>e</sup> T

6,000 kg
54.0 kW (73.0 HP)
1.00 m <sup>3</sup>

## XL

### AR 80<sup>e</sup>

6,220 kg
70.0 kW (95.0 HP)
1.10 - 1.30 m <sup>3</sup>

### AR 85<sup>e</sup>

7,000 kg
80.0 kW (109.0 HP)
1.30 - 1.50 m <sup>3</sup>

### AR 95<sup>e</sup>

7,900 kg
85.0 kW (115.5 HP)
1.40 - 2.00 m <sup>3</sup>

### AR 95<sup>e</sup> Super

8,200 kg
95.0 kW (129.0 HP)
1.40 - 2.00 m <sup>3</sup>

## XXL

### AR 105<sup>e</sup>

9,450 kg
105.0 kW (143.0 HP)
1.60 - 2.00 m <sup>3</sup>

### AR 200<sup>e</sup>

12,400 kg
115.0 kW (156.0 HP)
2.10 - 2.50 m <sup>3</sup>

### AR 250<sup>e</sup>

13,800 kg
160.0 kW (218.0 HP)
2.40 - 3.00 m <sup>3</sup>

Compliance with the new statutory limits for exhaust emissions is one thing. Deriving tangible benefits for our customers is another. We are proud to have incorporated both in the development of the new generation of wheel loaders.

**Higher power - lower consumption** plus a series of other innovative features that make a genuinely positive difference in a construction site environment. All the features inside are now represented on the outside by a small 'e' and the new product name 'weycor'.

**weycor is an ATLAS WEYHAUSEN GMBH brand.**

ATLAS WEYHAUSEN GMBH · D - 27793 Wildeshausen  
Phone +49 (0) 44 31 - 98 10 · info@weycor.de · www.weycor.de

 **weycor**  
BY ATLAS WEYHAUSEN

Under our policy of continuous improvement, we reserve the right to change specifications and design without prior notice, errors expected. The technical data refer only to the standard version, illustrations do not necessarily show the standard version of the machine. Not all products are available in all markets.